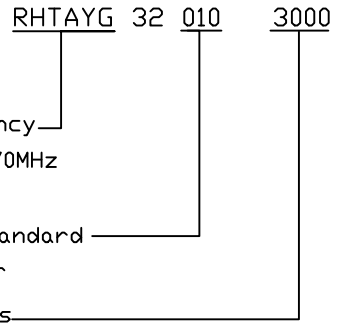


Specification:
 Frequency:824~960/1710~2170MHz
 Band width:136/460MHz
 Gain :3dBi
 Vswr :2.0Max.
 Impedance :50 Ω
 Polarization : Vertical
 Radiation : OMNIDIRECTIONAL
 Max Power : 10W
 Connector :RP SMA-J
 Cable:RG174,Black
 Length:3000mm
 Mounting Method:Screw
 Lightning protection: DC Grounding
 Operating Temperature :-30°C to+70°C
 Order Information



RHTECP NINGBO RHT ELECTRONIC CO.,LTD

UNITS:mm	SHEET SIZE: A4			SCALE:---	DRWN BY PAN
0~3	3~18	18~50	50~120	CHK'D BY FENG	
±0.12	±0.15	±0.3	±0.5	APPR BY ZHAN	

3G Antenna
 THIRD ANGLE PROJECTION
 RHTAYG32010XXXX