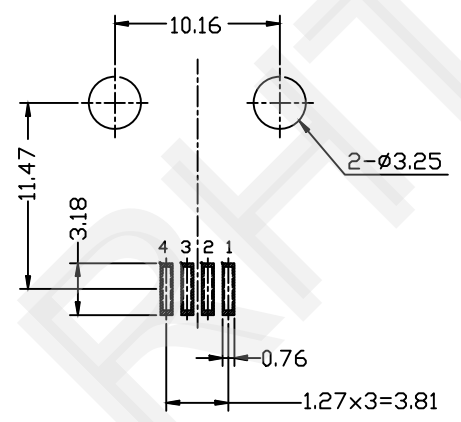
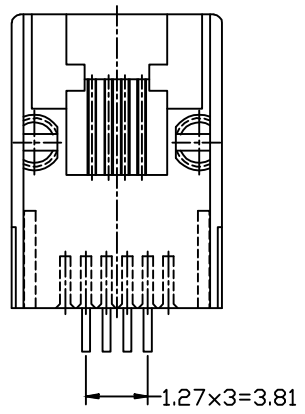


Both positive and negative MAX0.10



PCB LAYOUT/TOP VIEW

Notes :

- MATERIALS Gold Plating:6U'
- HOUSING: HIGH TEMP. THERMOPLASTIC FLAMMABILITY UL 94V-0
- CONTACTS: PHOSPHOR BRONZE
- PLATING: GOLD PLATING OVER NICKEL IN CONTACT
- TIN PLATING OVER NICKEL IN SOLDER AREA

Electrical:

- 1.Voltage Rating: 125 Vac Rms
- 2.Current Rating: 1.5 Amp
- 3.Contact Resistance: 40 Milliohms Max
- 4.Insulation Resistance: 1000 Megohms Min@500 Vdc
- 5.Dielectric Strength: 1000 Vac Rms 60Hz,1Min

Mechanical:

- 1.Operating: 750 Cycles Min

Environmental:

- 1.Storage: -40°C To +85°C
- 2.Operation: -20°C To +75°C

Mates With Modular Plug Conforming To FCC Part 68,Subpart F

**RHTECP** NINGBO RHT ELECTRONIC CO.,LTD

UNITS:mm	SHEET SIZE: A4			SCALE:---	DRWN BY PAN
0~3	3~18	18~50	50~120	CHK'D BY FENG	
±0.12	±0.15	±0.3	±0.5	APPR BY ZHAN	

RJ11-6P4C SMD Jack Horizontal

THIRD ANGLE PROJECTION

RHTLYMT22-6P4C-N-03-P