

Coplanarity 0.05

Electrical:

- 1.Voltage Rating: 125VAC
- 2.Current Rating: 1.5A
- 3.Contact Resistance: 35mΩ Max.
- 4.Insulation Resistance: 1000MΩ Min.@500VDC
- 5.Withstanding Resistance: 1000VAC RMS, 50Hz 1minute

- Materials:
- 1.Housing: Nylon FR52 (High Temperature), UL 94V-0
 - 2.Contact: Phosphor Bronze T=0.35mm
 - 3.Shield: Brass, T=0.25mm
 - 4.Plating: Contact Area-Selective Gold Plating

Mechanical:

- 1.Durability: 750 cycles Min.
- 2.PCB Retention pre-solder: 1 LB Min.

Environmental:

- 1.Storage:-40°C~+85°C
- 2.Operation:-40°C~+85°C

Order Information:

RHTLYMT08-8P8C-W-XX-R

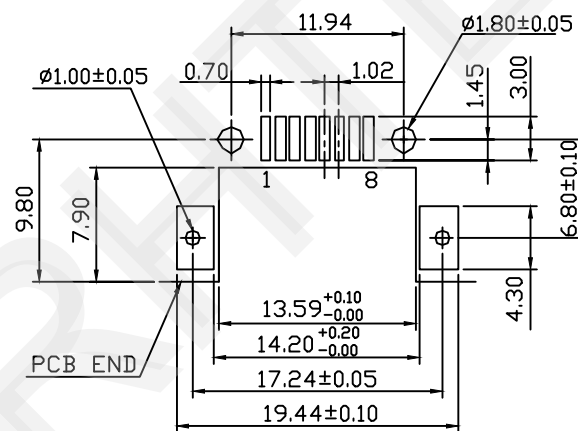
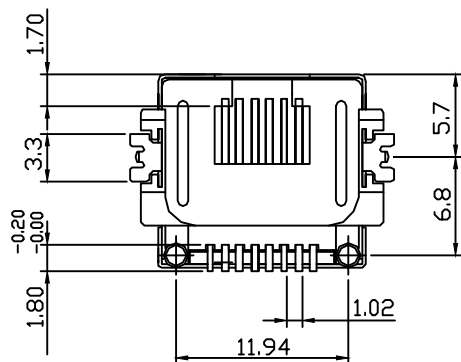
Point No: 8P8C

Shield Code:W-Without Shield

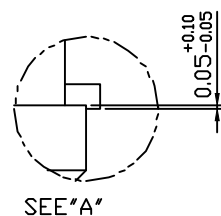
Plating:

- 01: 1u" Gold 02: 3u" Gold
- 03: 6u" Gold 04: 15u" Gold
- 05: 30u" Gold

Packing: R-Reel P-Blister Tray



PCB LAYOUT/TOP VIEW

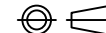


RHTECP NINGBO RHT ELECTRONIC CO.,LTD

UNITS:mm	SHEET SIZE: A4			SCALE:---	DRWN BY PAN
0~3	3~18	18~50	50~120	CHK'D BY FENG	
±0.12	±0.15	±0.3	±0.5	APPR BY ZHAN	

RJ45-8P8C SMD Jack Horizontal,
Mid Mount with Shielded

THIRD ANGLE PROJECTION



RHTLYMT08-8P8C-W-XX-R