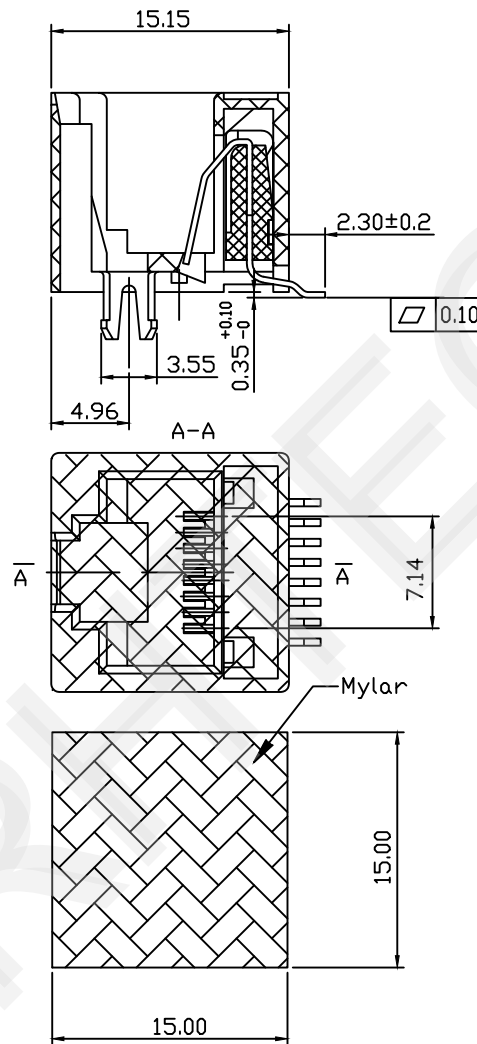


PC Board Layout T=1.60mm
Tolerances±0.05mm



Electrical:

- 1.Voltage Rating: 125VAC
- 2.Current Rating: 1.5A
- 3.Contact Resistance: 20mΩ Max.
- 4.Insulation Resistance: 1000MΩ Min.@500VDC
- 5.Withstanding Resistance: 1500VAC RMS, 50Hz 1minute

Materials:

Housing: LCP, UL94V-0
Contact: Phosphor Bronze T=0.35mm
Plating: Contact Area: Selective Gold Plating
Tails Plating Tin Over NICKEL

Mechanical:

Durability: 750 cycles Min.
Mating/Unmating Force : 30N Max.
Retention Strength: 50N For 60s±5s

Environmental:

Storage:-40°C ~+85°C, Relative Humidity<80%
Operating Temperature: -40°C ~+85°C

Order Information:

RHTLYMT03-8P8C-N-XX-P

Point No: 8P8C

Shield Code:N-Without Shield

Plating:

- 01: 1u" Gold 02: 3u" Gold
- 03: 6u" Gold 04: 15u" Gold
- 05: 30u" Gold

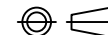
Packing: R-Reel P-Blister Tray

NINGBO RHT ELECTRONIC CO.,LTD

UNITS:mm	SHEET SIZE: A4			SCALE:---	DRWN BY PAN
0~3	3~18	18~50	50~120	CHK'D BY FENG	
±0.12	±0.15	±0.3	±0.5	APPR BY ZHAN	

RJ45-8P8C SMD Jack Horizontal,
Without Shielded

THIRD ANGLE PROJECTION



RHTLYMT03-8P8C-N-XX-P