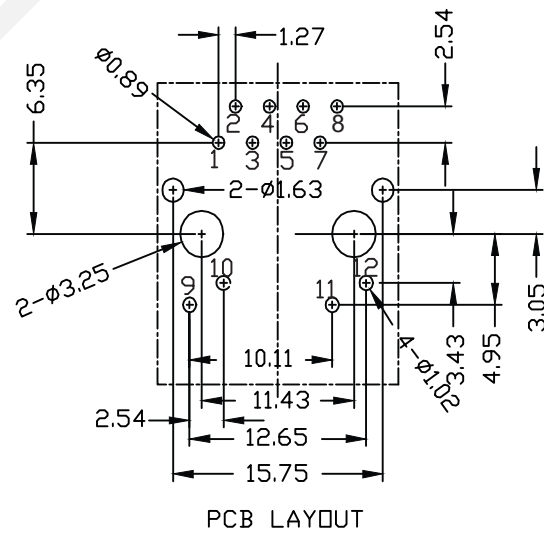
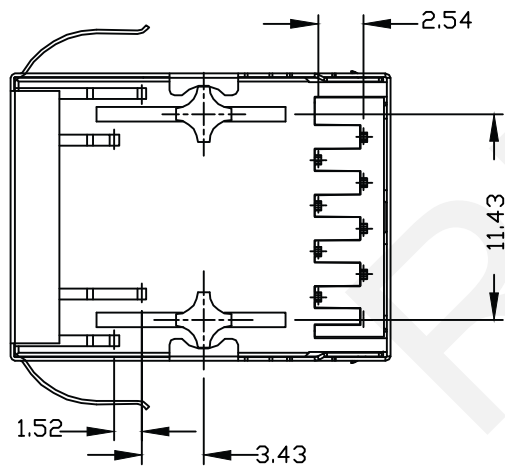


Order Information
 RHTLYL109-1X1-G
 Part Number
 Ports :1x1 Ports
 LED Style:Green/Yellow



RHTECP NINGBO RHT ELECTRONIC CO.,LTD

| | | | |
|----------|----------------|-----------|-------------|
| UNITS:mm | SHEET SIZE: A4 | SCALE:--- | DRWN BY PAN |
| 0~3 | 3~18 | 18~50 | 50~120 |
| ±0.12 | ±0.15 | ±0.3 | ±0.5 |

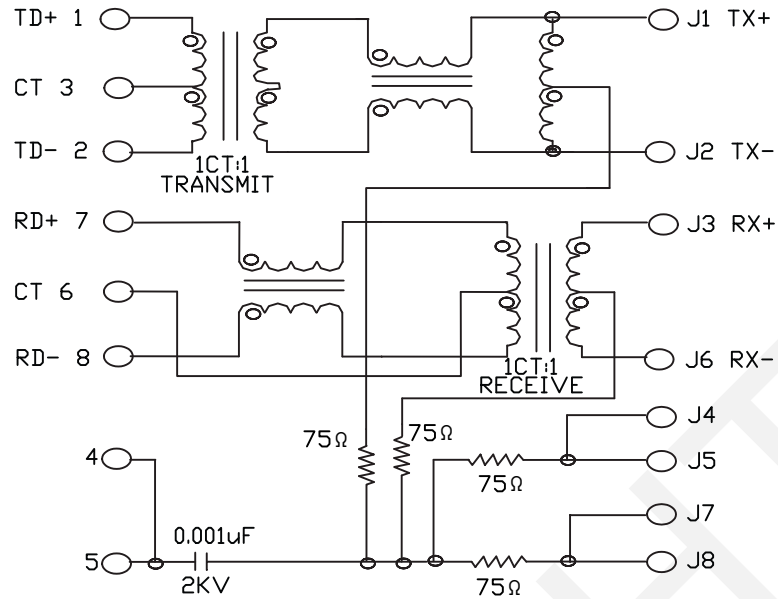
CHK'D BY FENG
 APPR BY ZHAN

100 Base 1x1 Tab-Down RJ45

THIRD ANGLE PROJECTION

RHTLYL109-1X1-G

PCB SIDE TO PHY



CABLE SIDE

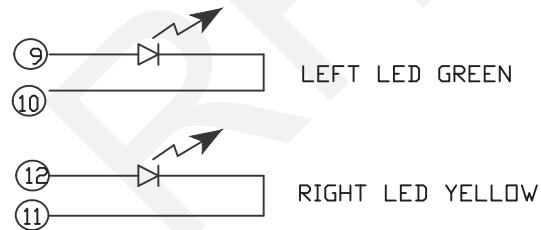
Electrical Specifications:
 Insertion Loss: 1-100MHZ -1.0dB MAX

Return Loss: 1-30MHZ -16.0dB MIN
 30-60MHZ -14.0dB MIN
 60-80MHZ -10.0dB MIN

Cross Talk: 1-30MHZ -40.0dB MIN
 30-60MHZ -35.0dB MIN
 60-80MHZ -30.0dB MIN

CMR: 1M-100MHZ -35dB MIN
 Hi-Pot: 1500v AC 6S 1mA
 Turn Ratio: 1CT:1CT+/-3%
 QCL: 350uH MIN @ 100KHZ 100mV 8mA DC

Contacts:
 0.35mm thick phos bronze plated with 6u' gold in contact area
 Housing Material: PBT Black
 Operating temperature range: 0°C~+70°C

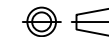


RHTECP NINGBO RHT ELECTRONIC CO.,LTD

| | | | |
|---------------|----------------|--------------|-------------|
| UNITS:mm | SHEET SIZE: A4 | SCALE:--- | DRWN BY PAN |
| 0~3 | 3~18 | 18~50 | 50~120 |
| ±0.12 | ±0.15 | ±0.3 | ±0.5 |
| CHK'D BY FENG | | APPR BY ZHAN | |

100 Base 1x1 Tab-Down RJ45

THIRD ANGLE PROJECTION



RHTLYL109-1X1-G