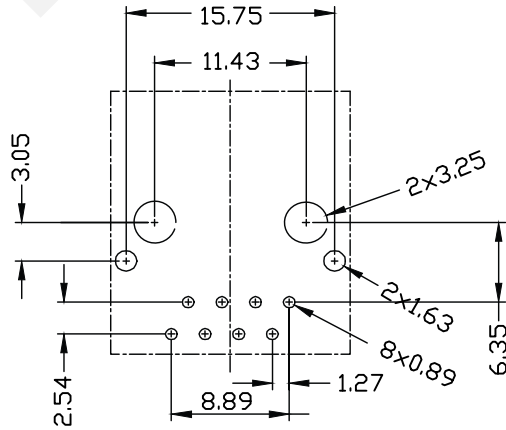
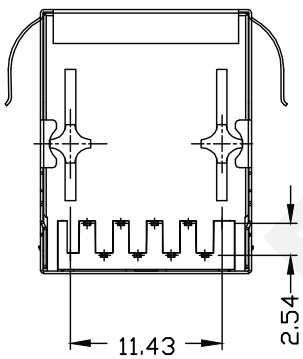


Order Information
RHTLYL104-1X1-03
 Part Number
 Ports 1x1 Ports
 Gold Plating :06u"

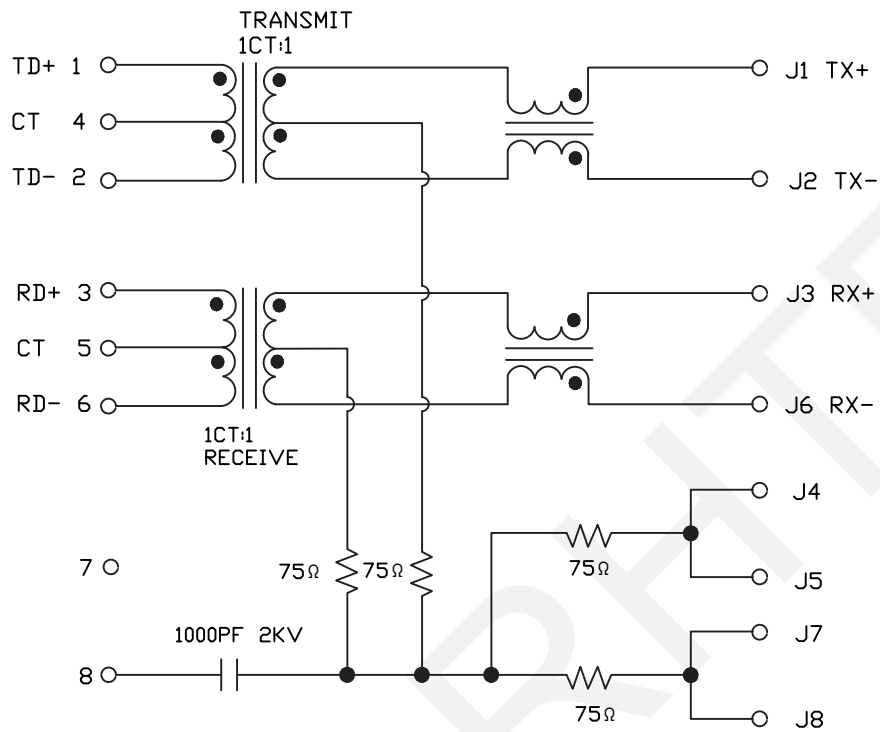


PCB LAYOUT

RHTECP NINGBO RHT ELECTRONIC CO.,LTD

UNITS:mm	SHEET SIZE: A4			SCALE:---	DRWN BY PAN
0~3	3~18	18~50	50~120	CHK'D BY FENG	
±0.12	±0.15	±0.3	±0.5	APPR BY ZHAN	

100 Base 1x1 Tab-Down RJ45
 THIRD ANGLE PROJECTION
 RHTLYL104-1X1-03



Electrical Specifications:
 Insertion Loss: 1-100MHZ -1.0dB MAX

Return Loss: 1-30MHZ -16.0dB MIN
 30-60MHZ -14.0dB MIN
 60-80MHZ -10.0dB MIN

Cross Talk: 1-30MHZ -40.0dB MIN
 30-60MHZ -35.0dB MIN
 60-80MHZ -30.0dB MIN

CMR: 1M-100MHZ -35dB MIN
 HI-Pot: 1500v AC 6S 1mA
 Turn Ratio: 1CT:1CT+/-3%.
 QCL:350uH MIN @ 100KHZ 100mV 8mA DC

Contacts:
 0.35mm thick phos bronze plated with 6u' gold in contact area
 Housing Material:PBT Black
 Operating temperature range: 40°C~+85°C

PC BOARD CONNECTIONS

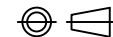
RJ45 CONNECTIONS

NINGBO RHT ELECTRONIC CO.,LTD

UNITS:mm	SHEET SIZE: A4			SCALE:---	DRWN BY PAN
0~3	3~18	18~50	50~120	CHK'D BY FENG	
±0.12	±0.15	±0.3	±0.5	APPR BY ZHAN	

100 Base 1x1 Tab-Down RJ45

THIRD ANGLE PROJECTION



RHTLYL104-1X1-03