

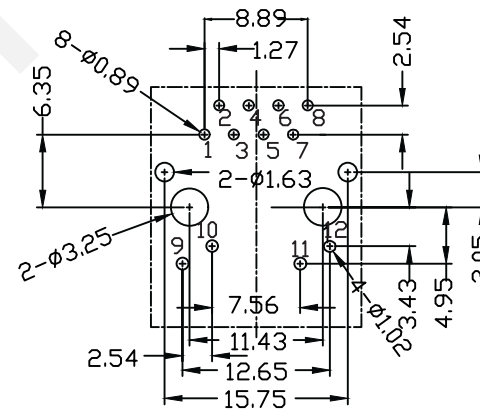
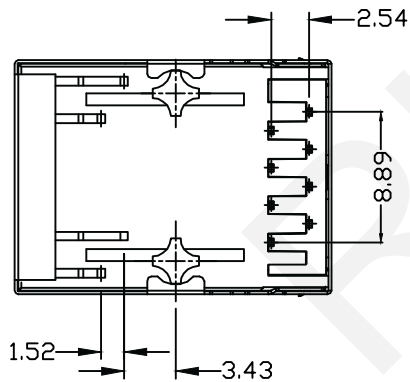
Order Information

RHTLYL101-1X1-G

Part Number

Ports :1x1 Ports

LED Style:Green/Yellow

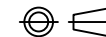


PCB LAYOUT

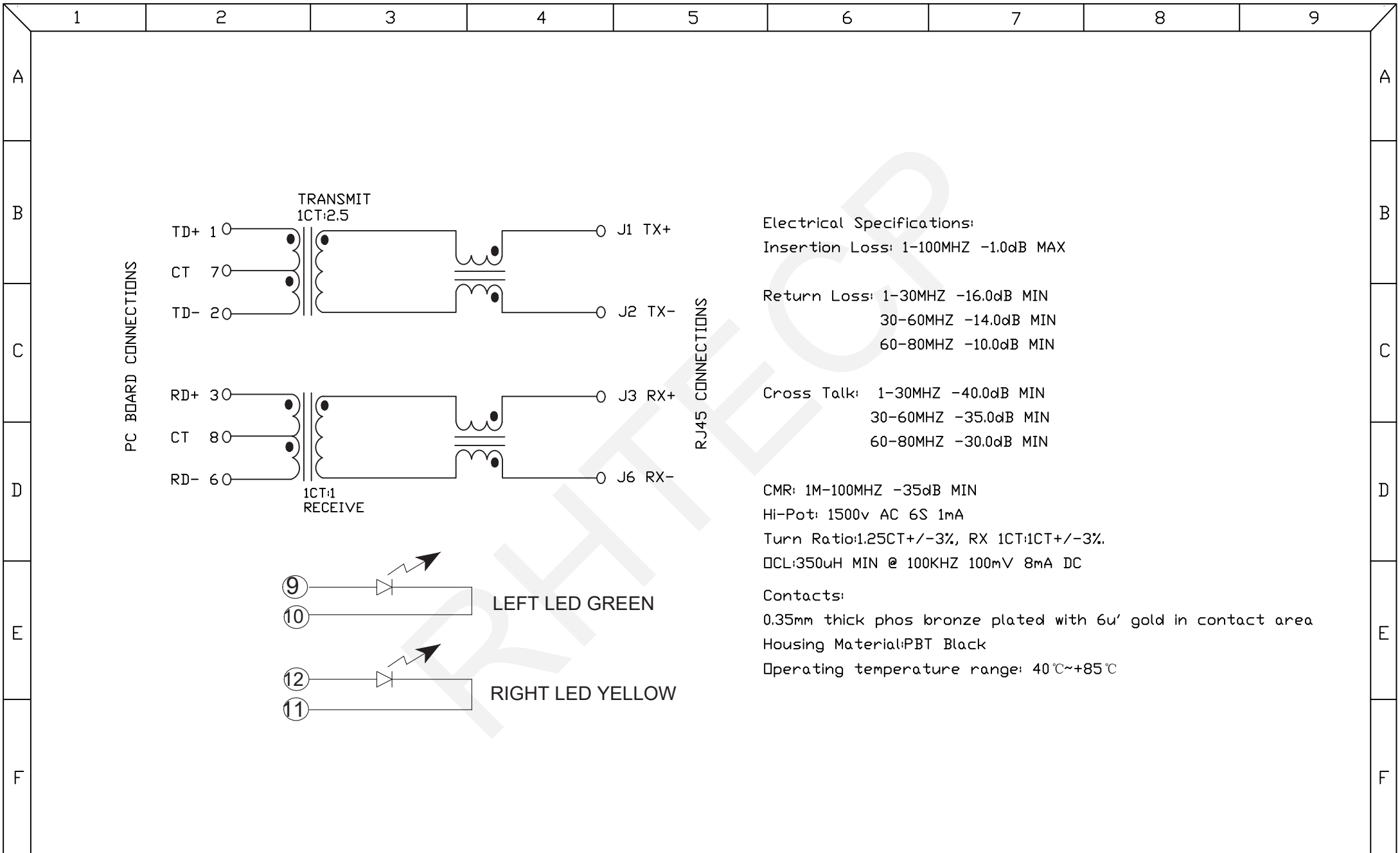
**RHTECP** NINGBO RHT ELECTRONIC CO.,LTD

UNITS:mm	SHEET SIZE: A4				SCALE:---	DRWN BY PAN
0~3	3~18	18~50	50~120	CHK'D BY FENG	100 Base 1x1 Tab-Down RJ45	
±0.12	±0.15	±0.3	±0.5	APPR BY ZHAN	RHTLYL101-1X1-G	

THIRD ANGLE PROJECTION



RHTLYL101-1X1-G



Electrical Specifications:  
 Insertion Loss: 1-100MHZ -1.0dB MAX

Return Loss: 1-30MHZ -16.0dB MIN  
 30-60MHZ -14.0dB MIN  
 60-80MHZ -10.0dB MIN

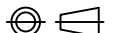
Cross Talk: 1-30MHZ -40.0dB MIN  
 30-60MHZ -35.0dB MIN  
 60-80MHZ -30.0dB MIN

CMR: 1M-100MHZ -35dB MIN  
 Hi-Pot: 1500v AC 6S 1mA  
 Turn Ratio:1.25CT+/-3%, RX 1CT:1CT+/-3%  
 OCL:350uH MIN @ 100KHZ 100mV 8mA DC

Contacts:  
 0.35mm thick phos bronze plated with 6u' gold in contact area  
 Housing Material:PBT Black  
 Operating temperature range: 40°C~+85°C

**RHTECP** NINGBO RHT ELECTRONIC CO.,LTD

UNITS:mm	SHEET SIZE: A4		SCALE:---	DRWN BY PAN
0~3	3~18	18~50	50~120	CHK'D BY FENG
±0.12	±0.15	±0.3	±0.5	APPR BY ZHAN

100 Base 1x1 Tab-Down RJ45  
 THIRD ANGLE PROJECTION  
  
 RHTLYL101-1X1-G