

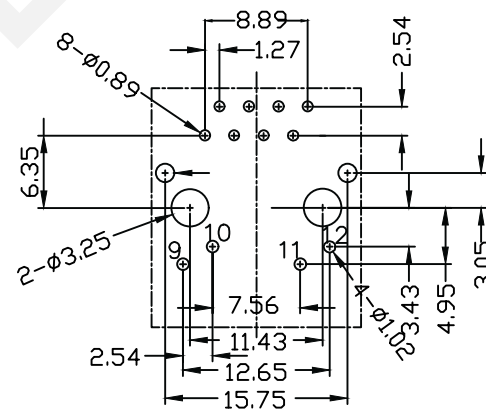
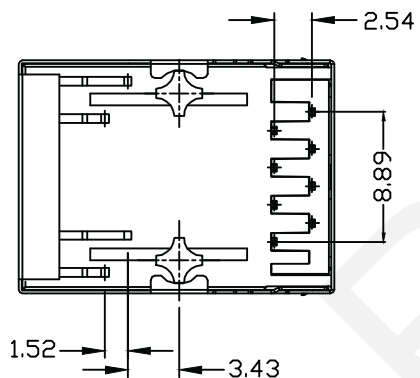
Order Information

RHTLYL100-1X1-G

Part Number

Ports :1x1 Ports

LED Style:G-Green/Yellow



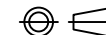
PCB LAYOUT

 NINGBO RHT ELECTRONIC CO.,LTD

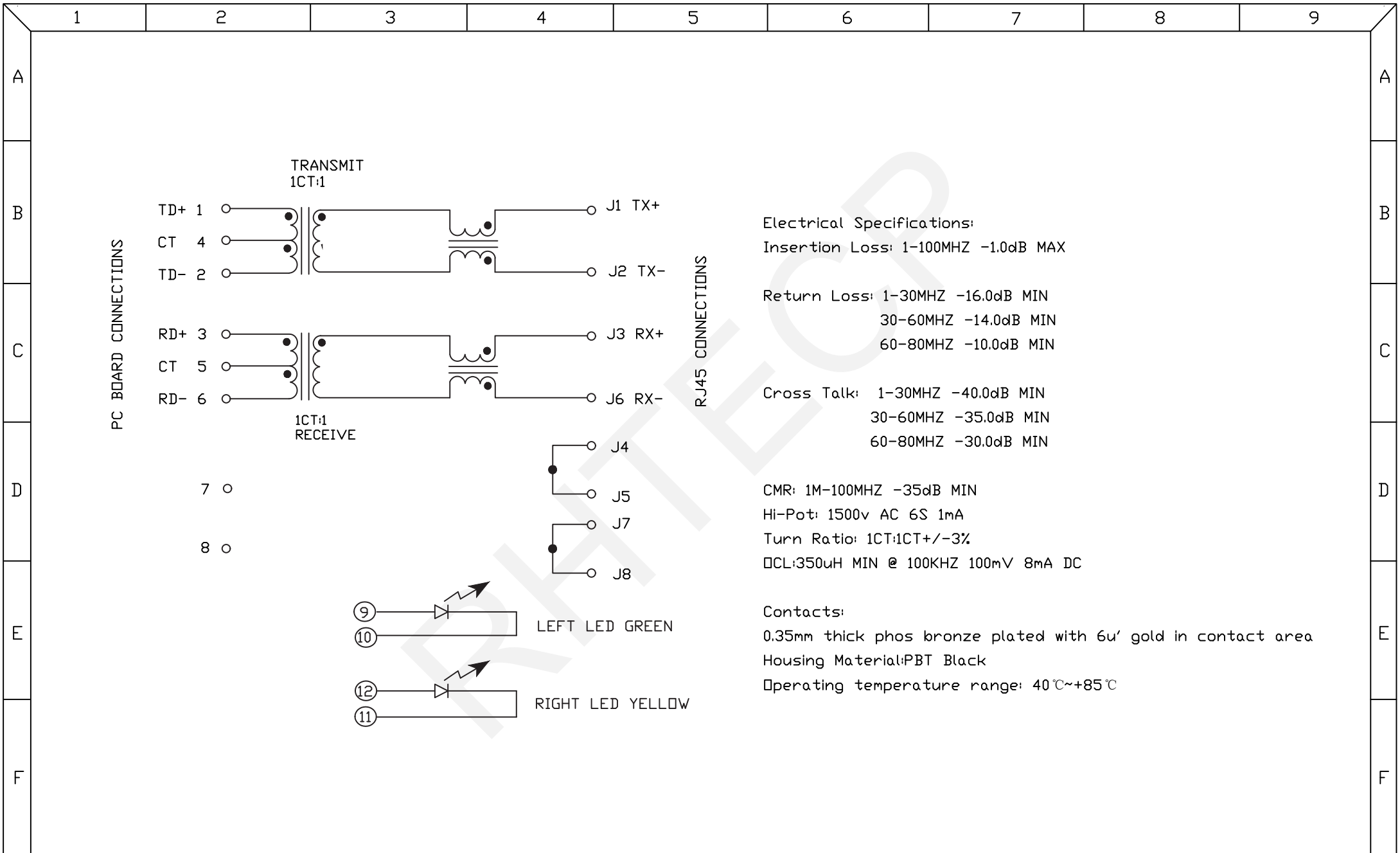
| | | | | |
|----------|----------------|-------|-----------|---------------|
| UNITS:mm | SHEET SIZE: A4 | | SCALE:--- | DRWN BY PAN |
| 0~3 | 3~18 | 18~50 | 50~120 | CHK'D BY FENG |
| ±0.12 | ±0.15 | ±0.3 | ±0.5 | APPR BY ZHAN |

100 Base 1x1 Tab-Down RJ45

THIRD ANGLE PROJECTION



RHTLYL100-1X1-G



Electrical Specifications:
 Insertion Loss: 1-100MHZ -1.0dB MAX

Return Loss: 1-30MHZ -16.0dB MIN
 30-60MHZ -14.0dB MIN
 60-80MHZ -10.0dB MIN

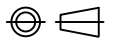
Cross Talk: 1-30MHZ -40.0dB MIN
 30-60MHZ -35.0dB MIN
 60-80MHZ -30.0dB MIN

CMR: 1M-100MHZ -35dB MIN
 Hi-Pot: 1500v AC 6S 1mA
 Turn Ratio: 1CT:1CT+/-3%
 DCL:350uH MIN @ 100KHZ 100mV 8mA DC

Contacts:
 0.35mm thick phos bronze plated with 6u' gold in contact area
 Housing Material:PBT Black
 Operating temperature range: 40°C~+85°C

 NINGBO RHT ELECTRONIC CO.,LTD

| | | | | | |
|----------|----------------|-------|--------|---------------|-------------|
| UNITS:mm | SHEET SIZE: A4 | | | SCALE:--- | DRWN BY PAN |
| 0~3 | 3~18 | 18~50 | 50~120 | CHK'D BY FENG | |
| ±0.12 | ±0.15 | ±0.3 | ±0.5 | APPR BY ZHAN | |

100 Base 1x1 Tab-Down RJ45
 THIRD ANGLE PROJECTION

 RHTLYL100-1X1-G