

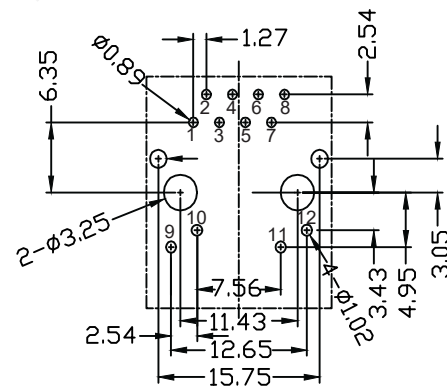
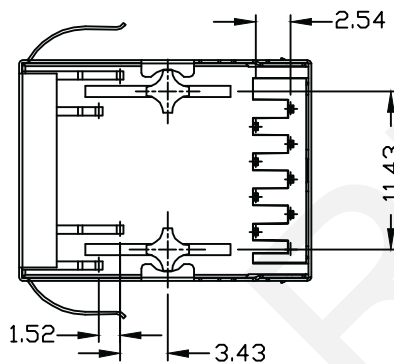
Order Information

RHTLYL098-1X1-G

Part Number

Ports :1x1 Ports

LED Style:G/Green/Yellow



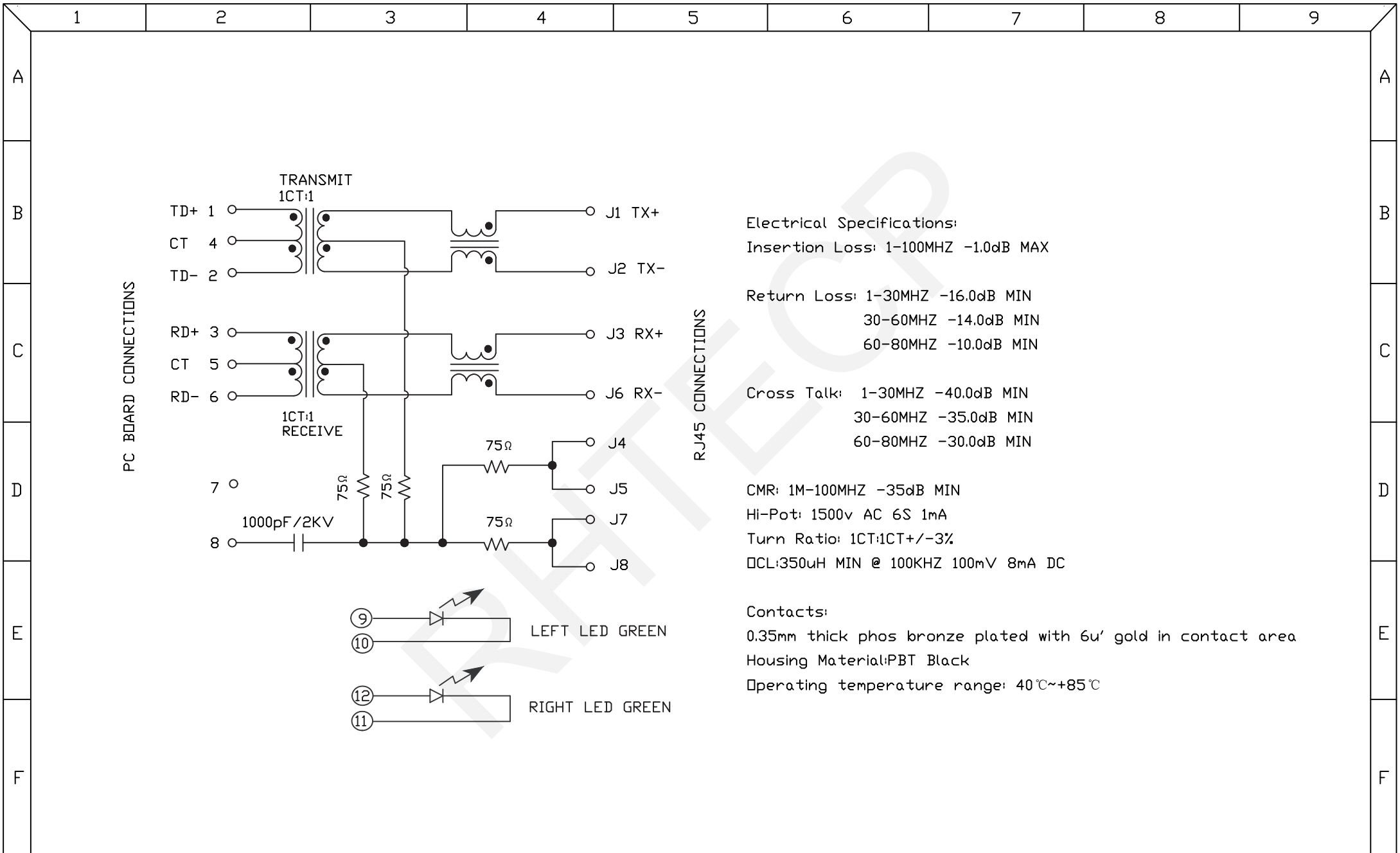
PCB LAYOUT

RHTECP NINGBO RHT ELECTRONIC CO.,LTD

UNITS:mm	SHEET SIZE: A4			SCALE:---	DRWN BY PAN
0~3	3~18	18~50	50~120	CHK'D BY FENG	THIRD ANGLE PROJECTION
±0.12	±0.15	±0.3	±0.5	APPR BY ZHAN	

100 Base 1x1 Tab-Down RJ45

RHTLYL098-1X1-G



Electrical Specifications:
Insertion Loss: 1-100MHZ -1.0dB MAX

Return Loss: 1-30MHZ -16.0dB MIN
30-60MHZ -14.0dB MIN
60-80MHZ -10.0dB MIN

Cross Talk: 1-30MHZ -40.0dB MIN
30-60MHZ -35.0dB MIN
60-80MHZ -30.0dB MIN

CMR: 1M-100MHZ -35dB MIN
HI-Pot: 1500v AC 6S 1mA
Turn Ratio: 1CT:1CT+/-3%
QCL:350uH MIN @ 100KHZ 100mV 8mA DC

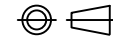
Contacts:
0.35mm thick phos bronze plated with 6u' gold in contact area
Housing Material:PBT Black
Operating temperature range: 40°C~+85°C

NINGBO RHT ELECTRONIC CO.,LTD

UNITS:mm	SHEET SIZE: A4	SCALE:---	DRWN BY PAN
0~3	3~18	18~50	50~120
±0.12	±0.15	±0.3	±0.5
CHK'D BY FENG		APPR BY ZHAN	

100 Base 1x1 Tab-Down RJ45

THIRD ANGLE PROJECTION



RHTLYL098-1X1-G