

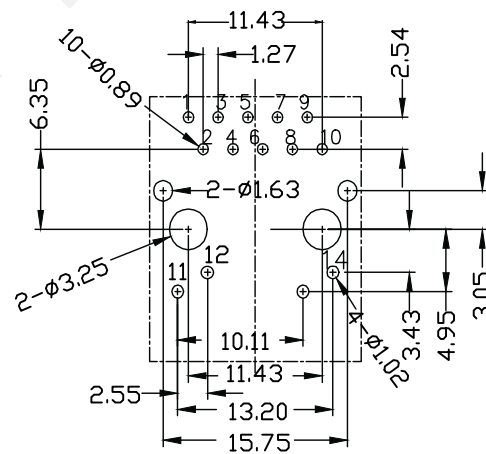
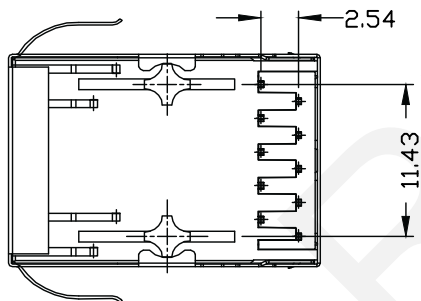
Order Information

RHTLYL087-1X1-G

Part Number

Ports :1x1 Ports

LED Style:G/Green/Yellow

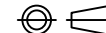


RHTECP NINGBO RHT ELECTRONIC CO.,LTD

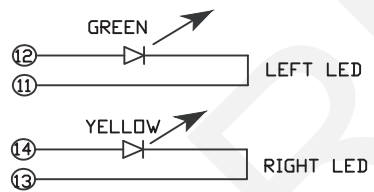
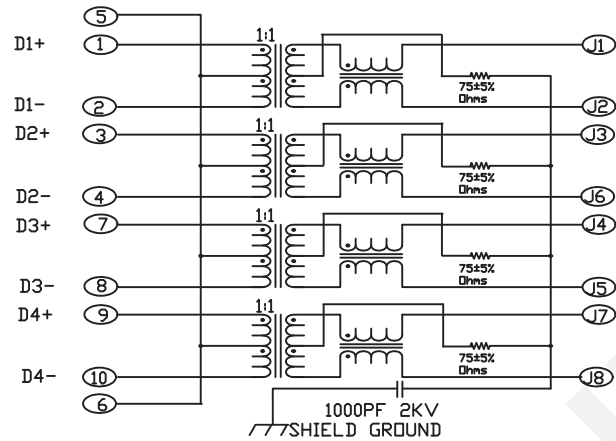
UNITS:mm	SHEET SIZE: A4			SCALE:---	DRWN BY PAN
0~3	3~18	18~50	50~120	CHK'D BY FENG	
±0.12	±0.15	±0.3	±0.5	APPR BY ZHAN	

1000 Base 1x1 Tab-Down RJ45

THIRD ANGLE PROJECTION



RHTLYL087-1X1-G



Electrical Specifications:

Insertion Loss: 1-100MHZ -1.0dB MAX

Return Loss: 1-30MHZ -16.0dB MIN

30-60MHZ -14.0dB MIN

60-80MHZ -10.0dB MIN

Cross Talk: 1-30MHZ -40.0dB MIN

30-60MHZ -35.0dB MIN

60-80MHZ -30.0dB MIN

CMR: 1M-100MHZ -35dB MIN

Hi-Pot: 1500v AC 6S 1mA

Turn Ratio: 1CT:1CT+/-3%

QCL:350uH MIN @ 100KHZ 100mV 8mA DC

Contacts:

0.35mm thick phos bronze plated with 6u' gold in contact area

Housing Material:PBT Black

 NINGBO RHT ELECTRONIC CO.,LTD

UNITS:mm

SHEET SIZE: A4

SCALE:---

DRWN BY PAN

1000 Base 1x1 Tab-Down RJ45

0~3

3~18

18~50

50~120

CHK'D BY FENG

THIRD ANGLE PROJECTION

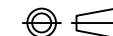
±0.12

±0.15

±0.3

±0.5

APPR BY ZHAN



RHTLYL087-1X1-G

1

2

3

4

5

6

7

8

9