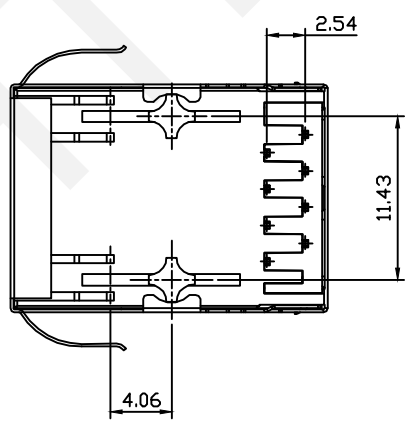
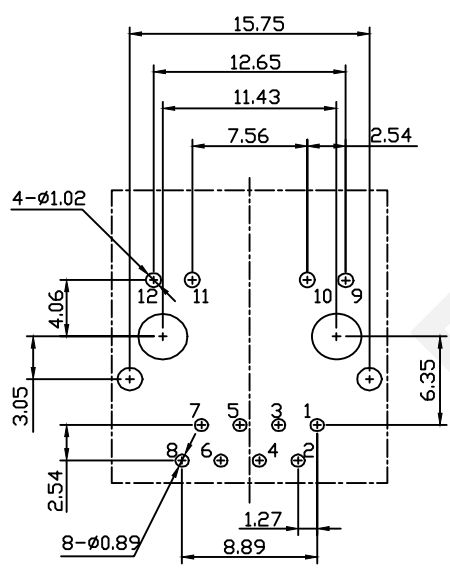


Notes:
 Housing Material: PBT Black
 Contacts: Phos Bronze, T=0.35mm,
 plated with 6u" gold in contact Area
 Operating Temperature: -40 ~85

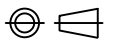
Order Information
 RHTLYL058N-1X1-G/Y-03



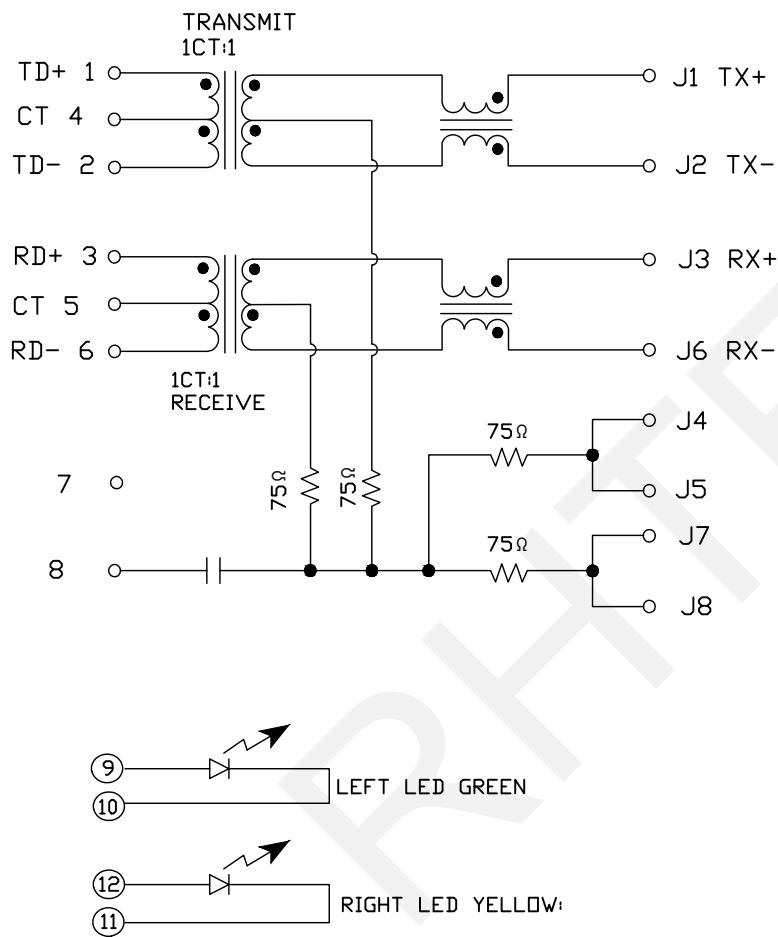
LED Code: _____
 G/Y-Green/Yellow
 Y/G-Yellow/Green
 Plating Code: _____
 01-1u"Gold Plating
 02-3u"Gold Plating
 03-6u"Gold Plating
 04-15u"Gold Plating
 05-30u"Gold Plating

RHTECP NINGBO RHT ELECTRONIC CO.,LTD

UNITS:mm	SHEET SIZE: A4	SCALE:---	DRWN BY PAN
0~3	3~18	18~50	50~120
±0.12	±0.15	±0.3	±0.5
			CHK'D BY FENG
			APPR BY ZHAN

1X1 TAB-DOWN RJ45 100BASE
 THIRD ANGLE PROJECTION

 RHTLYL058N-1X1-G/Y-03

PCB CONNECTIONS



RJ45 CONNECTIONS

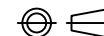
Electrical:
 Insertion Loss: 1-100MHZ -1.0dB Max
 Return Loss:
 -16.0dB Min 1-30MHZ
 -14.0dB Min 30-60MHZ
 -10.0dB Min 60-80MHZ
 Cross Talk:
 -40.0dB Min 1-30MHZ
 -35.0dB Min 30-60MHZ
 -30.0dB Min 60-80MHZ
 CMR: -35dB Min 1M-100MHZ
 Hi-Pot: 1500V AC 6S 1mA
 Turn Ratio: 1CT:1CT±3%
 DCL: 350uH MIN @ 100KHZ 100mV 8mA DC

 NINGBO RHT ELECTRONIC CO.,LTD

UNITS:mm	SHEET SIZE: A4			SCALE:---	DRWN BY PAN
0~3	3~18	18~50	50~120	CHK'D BY FENG	
±0.12	±0.15	±0.3	±0.5	APPR BY ZHAN	

1X1 TAB-DOWN RJ45 100BASE

THIRD ANGLE PROJECTION



RHTLYL058N-1X1-G/Y-03