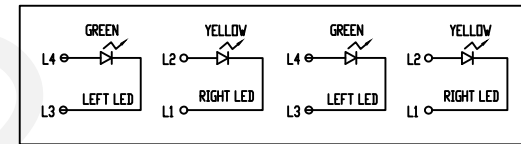


Specification LED

Standard LED Color	LED Wavelength	Forward (V MAX)	Typical (V TYP)	Luminous Intensity
Green	560-580 nm	2.5V	2.1-2.2V	9-25 MCD
Yellow	580-610 nm	2.5V	2.1-2.2V	9-30 MCD
Orange	580-610 nm	2.5V	2.1-2.2V	50-100 MCD

- LED intensity/wavelength measured with Photo Research PR-650 Colormeter
- With a forward current of 20 mA, Absolute Maximum Ratings (Ta=25 )



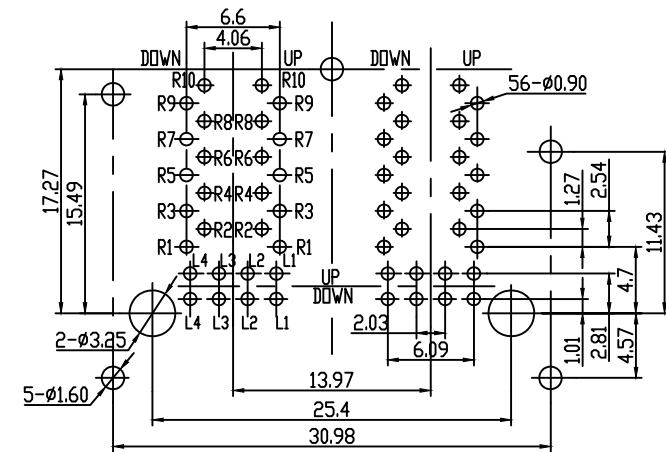
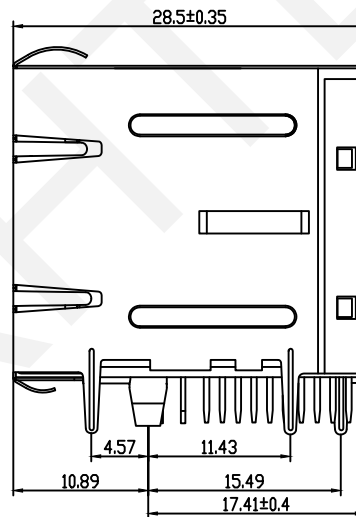
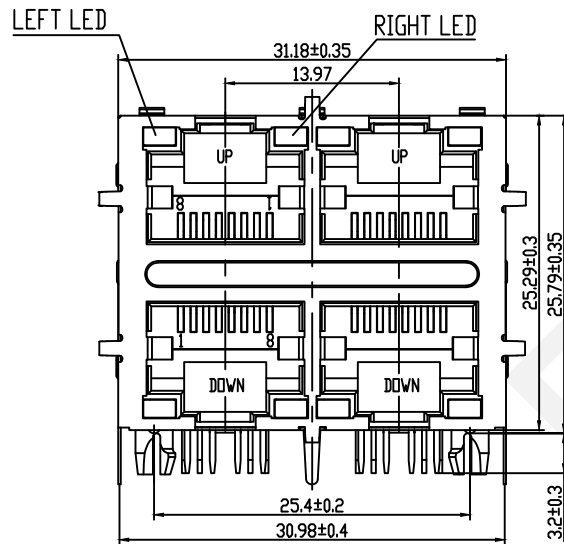
ORDER INFORMATION

RHTLYL056-2x2-G/Y

Part Number:

Ports: 2x2-1 Ports

LED Style: G/Y-Green/Yellow



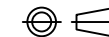
PCB BOARD LAYOUT

RHTECP NINGBO RHT ELECTRONIC CO.,LTD

UNITS:mm	SHEET SIZE: A4	SCALE:---	DRWN BY PAN
0~3	3~18	18~50	50~120
±0.12	±0.15	±0.3	±0.5
			CHK'D BY FENG
			APPR BY ZHAN

10/100 BASE 2x2Tab-Down RJ45

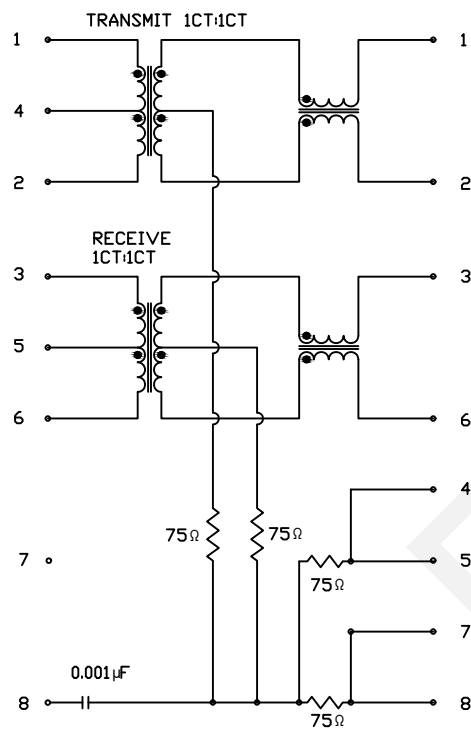
THIRD ANGLE PROJECTION



RHTLYL056-2X2-G/Y

ELECTRICAL SPECIFICATIONS AT 25

Insertion Loss dB max	Return Loss dB min			Crosstalk(dB TYP)			Common Mode Rejection (dB TYP)		Hipot (vrms)
	1-100MHz	1-30MHz	30-60MHz	60-100MHz	1-30MHz	30-60MHz	60-100MHz	1-50MHz	
-1.0	-18	-16	-12	-40	-35	-30	-30	-20	1500/0.5mA



Connect Material:

Housing:Thermoplastic,PBT,UL 94V-0,Black  
 Contact/Shield:Cooper alloy  
 Shield Plating:Nickel  
 Contact Plating>Selective gold 6u" Min

DESCRIPTION

RJ45 With Internal Magnetics Connector  
 Designed to support such applications as:Ethernet Equipment Complex,Switches, Routers,Firewalls,Servers and Hub  
 Internal magnetics are 100% electrically tested for functionality per IEEE802.3 requirement

ELECTRICAL:

RoHS peak wave solder temperature rating 235  
 High performance for maximum EMI suppression  
 350uH minimum OCL with 8mA bias current  
 PoE rating:15W,350mA,48V (For PoE Products only)

JACK CAVITY CONFORMS TO FCC RULES AND REGULATIONS,PART 68 SUBPART F.

INSERTION FORCE: 2 CONTACTS----350g 4 CONTACTS----500g  
 6 CONTACTS----750g 8 CONTACTS----900g  
 10 CONTACTS----1050g

MECHANICAL:

RETENTION STRENGTH: 7.7Kgs BETWEEN JACK AND PLUG  
 DURABILITY: 750 MATING CYCLES Min

HOUSING: 1)GLASS FILLED PA66 (UL94V-0)  
 2)GLASS FILLED PA46/LCP (UL94V-0)  
 3)GLASS FILLED PBT (UL94V-0)

MATERIAL

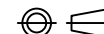
SPRING WIRE:  
 1)0.2-0.45mm DIA PHOSPHOR BRONZE GOLD PLATING OVER NICKEL  
 2)0.2-0.35mm THICKNESS PHOSPHOR BRONZE ALLOY SELECTIVE GOLD PLATING OVER NICKEL  
 SHIELDING: 0.12-0.24mm THICKNESS COPPER ALLOY WITH TIN PLATED  
 GOLD PLATING: 3μ", 6μ", 15μ", 30μ", 50μ"  
 WORKING TEMPERATURE: -20°C~70°C  
 TOLERANCES UNLESS OTHERWISE SPECIFIED : 0~10±0.15、10~20±0.2、20~40±0.25、40~70±0.3、≥70±0.4

NINGBO RHT ELECTRONIC CO.,LTD

UNITS:mm	SHEET SIZE: A4	SCALE:---	DRWN BY PAN
0~3	3~18	18~50	50~120
±0.12	±0.15	±0.3	±0.5
			CHK'D BY FENG
			APPR BY ZHAN

10/100 BASE 2x2Tab-Down RJ45

THIRD ANGLE PROJECTION



RHTLYL056-2X2-G/Y