

Specification LED

Standard LED Color	LED Wavelength	Forward (V MAX)	Typical (V TYP)	Luminous Intensity
Green	560-580 nm	2.5V	2.1-2.2V	9-25 MCD
Yellow	580-610 nm	2.5V	2.1-2.2V	9-30 MCD
Orange	580-610 nm	2.5V	2.1-2.2V	50-100 MCD

- LED intensity/wavelength measured with Photo Research PR-650 Colormeter
- With a forward current of 20 mA, Absolute Maximum Ratings (Ta=25)

Connect Material:

Housing:Thermoplastic,PBT,UL 94V-0,Black

Contact/Shield:Cooper alloy

Shield Plating:Nickel

Contact Plating:Selective gold 6u" Min

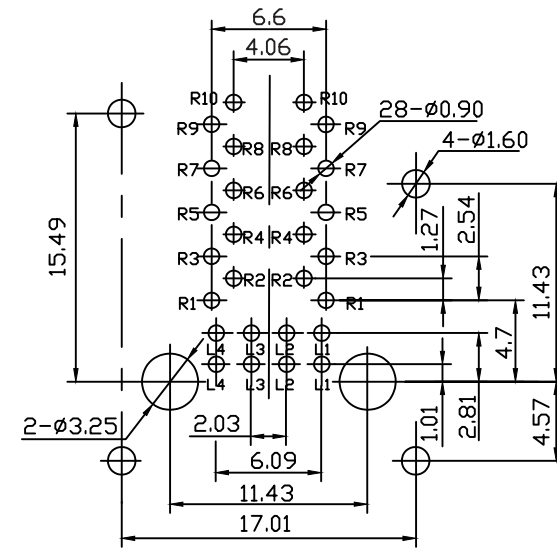
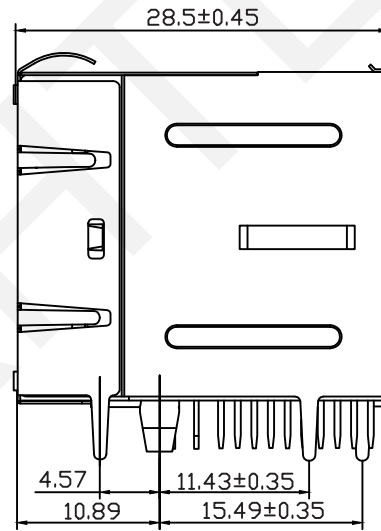
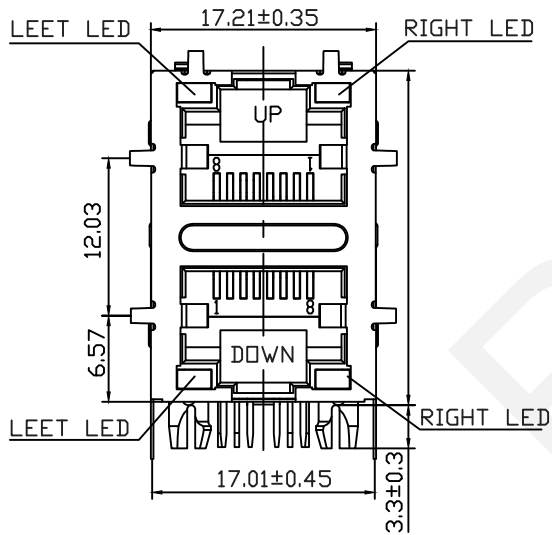
ORDER INFORMATION

RHTLYL055-2x1-G/Y

Part Number:

Ports:2x1-1 Ports

LED Style:G/Y-Green/Yellow



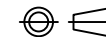
PCB BOARD LAYOUT

NINGBO RHT ELECTRONIC CO.,LTD

UNITS:mm	SHEET SIZE: A4			SCALE:---	DRWN BY PAN
0~3	3~18	18~50	50~120	CHK'D BY FENG	
±0.12	±0.15	±0.3	±0.5	APPR BY ZHAN	

10/100/1000 BASE 2x1Tab-Down RJ45

THIRD ANGLE PROJECTION

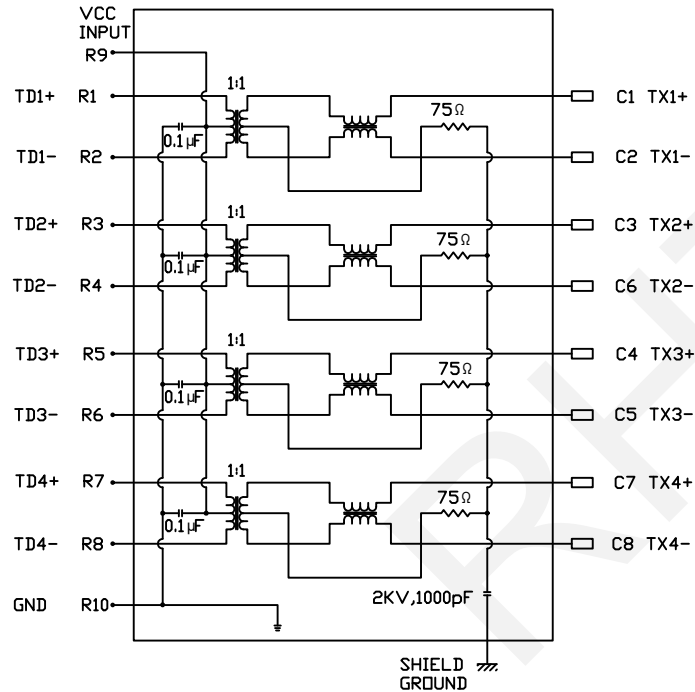


RHTLYL055-2X1-G/Y

ELECTRICAL SPECIFICATIONS AT 25

Insertion Loss dB max	Return Loss dB min			Crosstalk(dB TYP)			Common Mode Rejection (dB TYP)		Hipot (vrms)
	1-30MHz	30-60MHz	60-100MHz	1-30MHz	30-60MHz	60-100MHz	1-50MHz	50-150MHz	
-1.0	-18	-16	-12	-40	-35	-30	-30	-20	1500/0.5mA

SHEMATIC RV1



DESCRIPTION

RJ45 With Internal Magnetics Connector
 Designe to support such applications as Ethernet Equipment Complex, Switches, Routers, Firewalls, Servers and Hub
 Internal magnetics are 100% electrically tested for functionality per IEEE802.3 requirement

ELECTRICAL:

RoHS peak wave solder temperature rating 235
 High performance for maximum EMI suppression
 350uH minimum OCL with 8mA bias current
 PoE rating 15W, 350mA, 48V (For PoE Products only)

JACK CAVITY CONFORMS TO FCC RULES AND REGULATIONS, PART 68 SUBPART F.

INSERTION FORCE: 2 CONTACTS----350g 4 CONTACTS----500g
 6 CONTACTS----750g 8 CONTACTS----900g
 10 CONTACTS----1050g

MECHANICAL:

RETENTION STRENGTH: 7.7Kgs BETWEEN JACK AND PLUG
 DURABILITY: 750 MATING CYCLES Min

HOUSING:

- 1) GLASS FILLED PA66 (UL94V-0)
- 2) GLASS FILLED PA46/LCP (UL94V-0)
- 3) GLASS FILLED PBT (UL94V-0)

MATERIAL

SPRING WIRE:

- 1) 0.2-0.45mm DIA PHOSPHOR BRONZE GOLD PLATING OVER NICKEL
- 2) 0.2-0.35mm THICKNESS PHOSPHOR BRONZE ALLOY SELECTIVE GOLD PLATING OVER NICKEL
- SHIELDING: 0.12-0.24mm THICKNESS COPPER ALLOY WITH TIN PLATED

GOLD PLATING: 3µ', 6µ', 15µ', 30µ', 50µ'

WORKING TEMPERATURE: -20°C~70°C

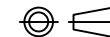
TOLERANCES UNLESS OTHERWISE SPECIFIED : 0~10±0.15, 10~20±0.2, 20~40±0.25, 40~70±0.3, ≥70±0.4

NINGBO RHT ELECTRONIC CO.,LTD

UNITS:mm	SHEET SIZE: A4	SCALE:---	DRWN BY PAN
0~3	3~18	18~50	50~120
±0.12	±0.15	±0.3	±0.5
CHK'D BY FENG		APPR BY ZHAN	

10/100/1000 BASE 2x1Tab-Down RJ45

THIRD ANGLE PROJECTION



RHTLYL055-2X1-G/Y