

P.C.B RECOMMENDED HOLE LAYOUT SEEN FROM COMPONENT SIDE.
ALL CENTERLINE DIMENSIONS ARE BASIC

Connect Material:
Housing:Thermoplastic,PBT,UL94V-0,Black
Contact/Shield:Cooper alloy
Shield Plating:Nickel
Contact Plating:Selective gold 6u" Min

Order Information

RHTLYL053-1x1-G/Y-1-03

Part Number

Ports :1x1 Ports

LED Style:G/Y-Green/Yellow

Back Peg :1-Back Peg 3.05

Gold Plating:06u"

NINGBO RHT ELECTRONIC CO.,LTD

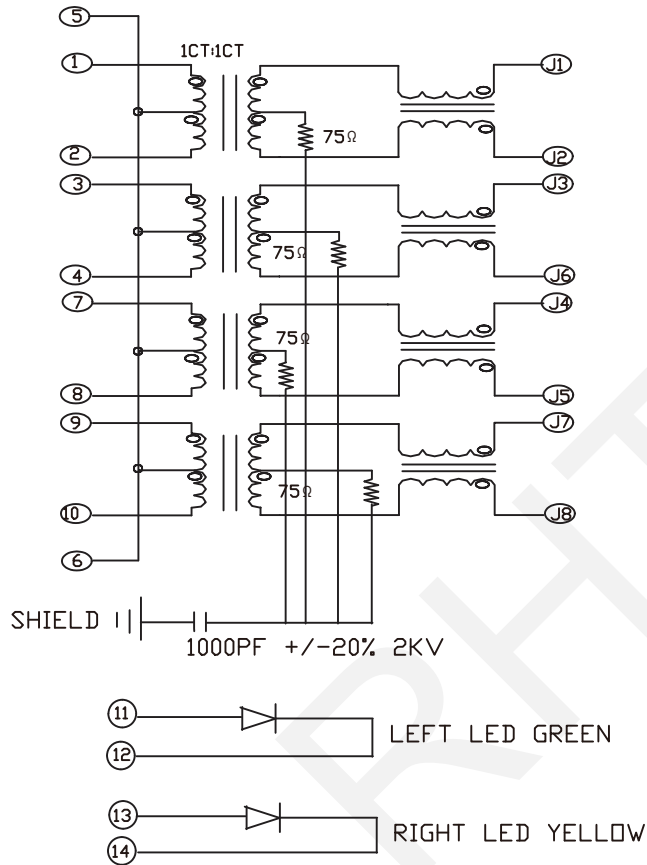
UNITS:mm	SHEET SIZE: A4	SCALE:----	DRWN BY PAN
0~3	3~18	18~50	50~120
±0.12	±0.15	±0.3	±0.5

CHK'D BY FENG
APPR BY ZHAN

10/100/1000 BASE 1x1Tab-Down RJ45
THIRD ANGLE PROJECTION
 RHTLYL053-1X1-G/Y-1-03

ELECTRICAL SPECIFICATIONS @ 25°C unless otherwise noted:

Schematics



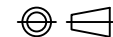
1. Turn Ratio(+/-2%):
TX=1CT:1CT RX=1CT:1CT
2. Inductance \square CL:
350uH Min @100KHz/0.1V ,8mA DC Bias
3. Insertion Loss:
-1.0dB Max @1.0-100MHz
4. Return Loss:
-20dB Min @1-10MHz
-16dB Min @10-30MHz
-12dB Min @30-60MHz
-10dB Min @60-100MHz
5. Cross talk:
-40dB Min @1-30MHz
-35dB Min @30-60MHz
-30dB Min @60-100MHz
6. Common Mode Rejection:
-30dB Min @1-50MHz
-20dB Min @50-150MHz
7. HIPOT TEST :1500V AC 1mA 6S
8. OPERA TING TEMPERA TURE RANGE:0-70°C

NINGBO RHT ELECTRONIC CO.,LTD

UNITS:mm	SHEET SIZE: A4		SCALE:---	DRWN BY PAN
0~3	3~18	18~50	50~120	CHK'D BY FENG
±0.12	±0.15	±0.3	±0.5	APPR BY ZHAN

10/100/1000 BASE 1x1Tab-Down RJ45

THIRD ANGLE PROJECTION



RHTLYL053-1X1-G/Y-1-03