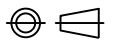


Connect Material:  
 Housing:Thermoplastic,PBT,UL94V-0,Black  
 Contact/Shield:Cooper alloy  
 Shield Plating:Nickel  
 Contact Plating:Selective gold 6u' Min  
 Type:DIP/SIDE ENTRY  
 Application:PCB  
 Gender:Female  
 Temperature:0 TO 70  
 Latch:DOWN

P.C.B RECOMMENDED HOLE LAYOUT SEEN FROM COMPONENT SIDE.  
 ALL CENTERLINE DIMENSIONS ARE BASIC

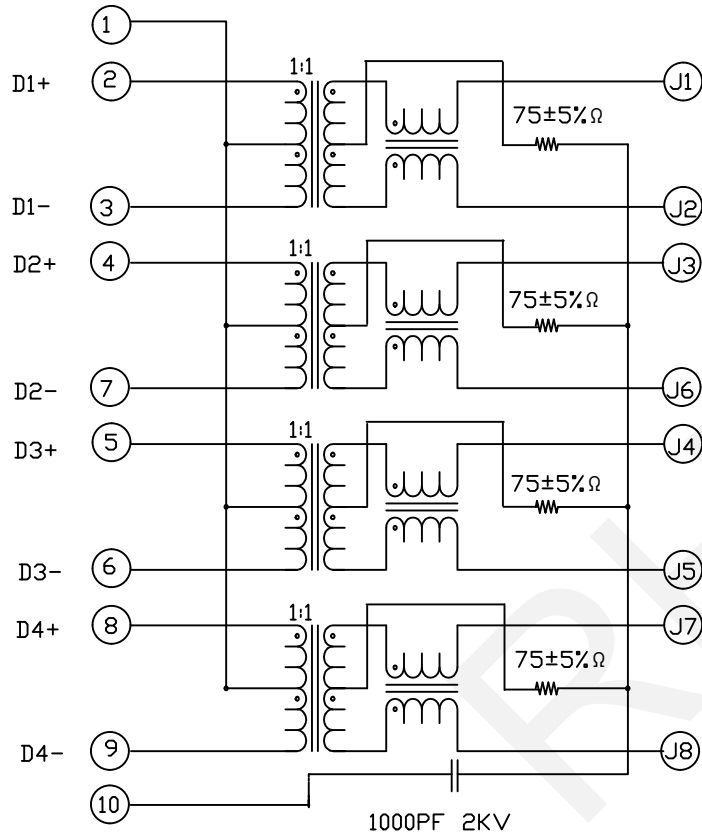
**RHTECP** NINGBO RHT ELECTRONIC CO.,LTD

UNITS:mm	SHEET SIZE: A4		SCALE:---	DRWN BY PAN
0~3	3~18	18~50	50~120	CHK'D BY FENG
±0.12	±0.15	±0.3	±0.5	APPR BY ZHAN

10/100/1000 BASE 1x1Tab-Down RJ45  
 THIRD ANGLE PROJECTION  
  
 RHTLYL052-1X1-G/Y-1-03

ELECTRICAL SPECIFICATIONS @ 25°C unless otherwise noted:

Schematics



1. Turn Ratio(+/-2%):  
TX=1CT :1CT RX=1CT:1CT
2. Inductance  $\square$ CL:350uH Min @100KHz/0.1V ,8mA DC Bias
3. Insertion Loss:-1.0dB Max @1.0-100MHz
4. Return Loss:-20dB Min @1-10MHz,-16dB Min @10-30MHz  
-12dB Min @30-60MHz,-10dB Min @60-100MHz
5. Cross talk:-40dB Min @1-30MHz  
-35dB Min @30-60MHz, -30dB Min @60-100MHz
6. Common Mode Rejection:-30dB Min @1-50MHz,-20dB Min @50-150MHz
7. HIPOT TEST :1500V AC 1mA 6S
8. OPERATING TEMPERATURE RANGE:0-70°C

Order Information

RHTLYL052-1x1-G/Y-1-03

Part Number

Ports :1x1 Ports

LED Style:G/Y-Green/Yellow

Back Peg :1-Back Peg 3.05

Gold Plating:06u"

 NINGBO RHT ELECTRONIC CO.,LTD

UNITS:mm	SHEET SIZE: A4			SCALE:---	DRWN BY PAN
0~3	3~18	18~50	50~120	CHK'D BY FENG	
±0.12	±0.15	±0.3	±0.5	APPR BY ZHAN	

10/100/1000 BASE 1x1Tab-Down RJ45

THIRD ANGLE PROJECTION



RHTLYL052-1X1-G/Y-1-03