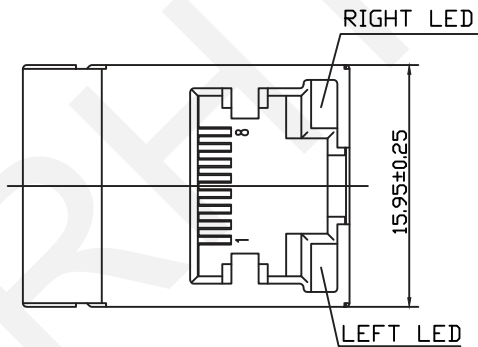
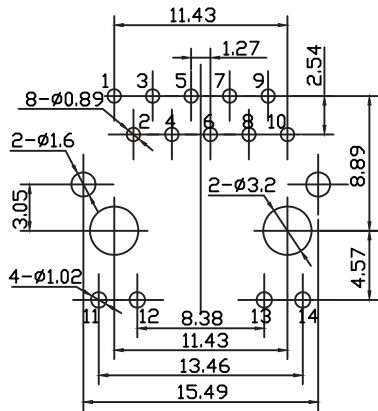


LED Specification				
Standard	LED	Forward	Typical	Luminous
LED Color:	Wavelength	(V MAX)	(V TYP)	Intensity
Green	560-580 nm	2.5V	2.1-2.2V	9-25 MCD
Yellow	580-610 nm	2.5V	2.1-2.2V	9-30 MCD
Orange	580-610 nm	2.5V	2.1-2.2V	50-100 MCD



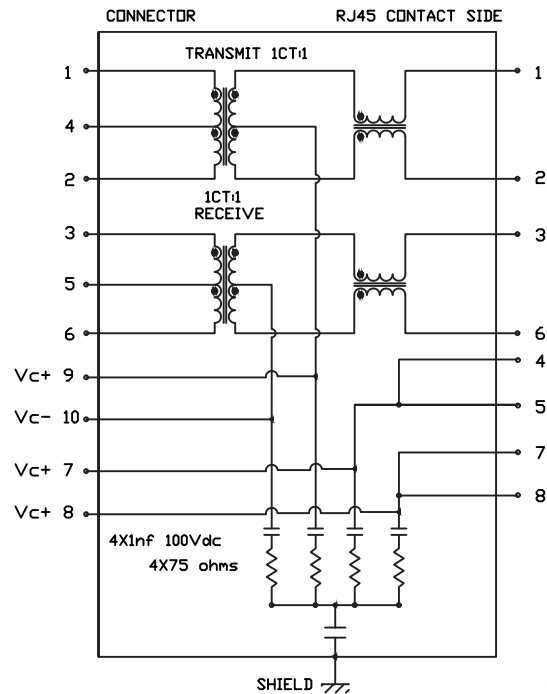
1.LED intensity/wavelength measured with Photo Research PR-650 Colormeter  
 2.With a forward current of 20 mA,Absolute Maximum Ratings (Ta=25 )  
 Specification:  
 1:TOLERANCES UNLESS OTHERWISE SPECIFIED :  
 0~10±0.15、10~20±0.2、20~40±0.25、  
 40~70±0.3、≥70±0.4  
 2:JACK CAVITY CONFORMS TO FCC RULES AND REGULATIONS,PART 68 SUBPART F.

**RHTECP** NINGBO RHT ELECTRONIC CO.,LTD

UNITS:mm	SHEET SIZE: A4			SCALE:---
0~3	3~18	18~50	50~120	
±0.12	±0.15	±0.3	±0.5	

DRWN BY PAN  
 CHK'D BY FENG  
 APPR BY ZHAN

Modular Jack with transformer  
 THIRD ANGLE PROJECTION  
 RHTLYL006



ELECTRICAL SPECIFICATIONS AT 25

Insertion Loss dB max	Return Loss dB min			Crosstalk(dB TYP)			Common Mode Rejection (dB TYP)		Hipot (vrms)
	1-30MHz	30-60MHz	60-100MHz	1-30MHz	30-60MHz	60-100MHz	1-50MHz	50-150MHz	
-1.0	-18	-16	-12	-40	-35	-30	-30	-20	1500

DESCRIPTION

RJ45 With internal Magnetics Connector  
 Designe to support such applications as:Ethernet Equipment Complex,Switches, Routers,Firewalls,Servers and Hub  
 Internal magnetics are 100% electrically tested for functionality per IEEE802.3 requirement

ELECTRICAL:

RoHS peak wave solder temperature rating 235  
 High performance for maximum EMI suppression  
 350uH minimum OCL with 8mA bias current  
 PoE rating:15W,350mA,48V (For PoE Products only)

JACK CAVITY CONFORMS TO FCC RULES AND REGULATIONS,PART 68 SUBPART F.

INSERTION FORCE: 2 CONTACT----350g 4 CONTACTS----500g  
 6 CONTACTS----750g 8 CONTACTS----900g  
 10 CONTACTS----1050g

MECHANICAL:

RETENTION STRENGTH: 7.7Kgs BETWEEN JACK AND PLUG  
 DURABILITY: 750 MATING CYCLES Mini

HOUSING:

- 1)GLASS FILLED PA66 (UL94V-0)
- 2)GLASS FILLED PA46/LCP (UL94V-0)
- 3)GLASS FILLED PBT (UL94V-0)

MATERIAL

SPRING WIRE:

- 1)0.2-0.45mm DIA PHOSPHOR BRONZE GOLD PLATING OVER NICKEL
- 2)0.2-0.35mm THICKNESS PHOSPHOR BRONZE ALLOY SELECTIVE GOLD PLATING OVER NICKEL

SHIELDING: 0.12-0.24mm THICKNESS COPPER ALLOY WITH TIN PLATED

GOLD PLATING: 3μ, 6μ, 15μ, 30μ, 50μ

WORKING TEMPERATURE: -20℃~70℃

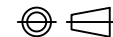
TOLERANCES UNLESS OTHERWISE SPECIFIED : 0~10±0.15、10~20±0.2、20~40±0.25、40~70±0.3、≥70±0.4

NINGBO RHT ELECTRONIC CO.,LTD

UNITS:mm	SHEET SIZE: A4	SCALE:---	DRWN BY PAN
0~3	3~18	18~50	50~120
±0.12	±0.15	±0.3	±0.5
CHK'D BY FENG		APPR BY ZHAN	

Modular Jack with transformer

THIRD ANGLE PROJECTION



RHTLYL006