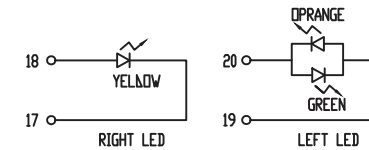


PCB BOARD LAYOUT



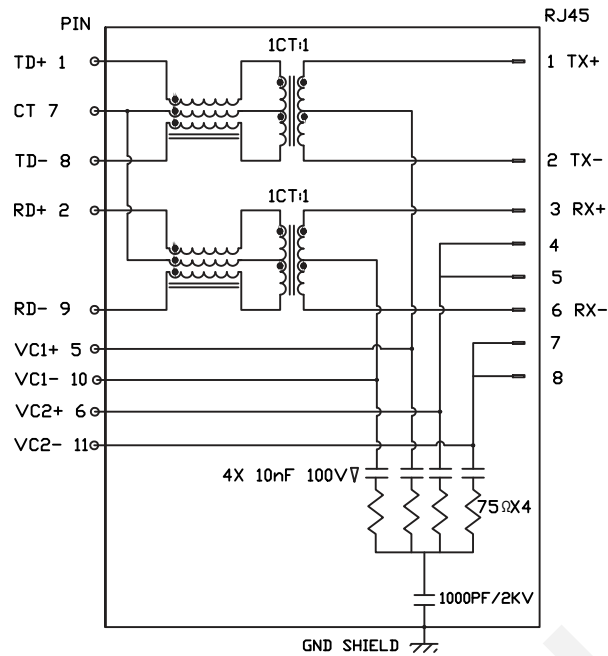
RIGHT LED			LEFT LED		
PIN 17	PIN 18	∅∅∅R	PIN 19	PIN 20	∅∅∅R
-	+	YELLOW	+	-	DORANGE
/	/	/	-	+	GREEN

TOLERANCES UNLESS OTHERWISE SPECIFIED :
 0~10±0.15, 10~20±0.2, 20~40±0.25,
 40~70±0.3, >70±0.4

NINGBO RHT ELECTRONIC CO.,LTD

UNITS:mm	SHEET SIZE: A4			SCALE:---	DRWN BY PAN
0~3	3~18	18~50	50~120	CHK'D BY FENG	THIRD ANGLE PROJECTION
±0.12	±0.15	±0.3	±0.5	APPR BY ZHAN	

Modular Jack with transformer
 RHTLYL005



ELECTRICAL SPECIFICATIONS AT 25

Insertion Loss dB max	Return Loss dB min			Crosstalk(dB TYP)			Common Mode Rejection (dB TYP)		Hipot (vrms)
	1-30MHz	30-60MHz	60-80MHz	1-30MHz	30-60MHz	60-80MHz	1-50MHz	50-150MHz	
-1.0	-18	-16	-12	-40	-35	-30	-30	-20	1500

SPECIFICATIONS

Meets IEEE802.3 specification

CURRENT RATING: 1.5A

VOLTAGE RATING: 125V AC

ELECTRICAL:

INSULATION RESISTANCE: 500MΩ Mini

WITHSTAND VOLTAGE: AC 1500 V RMS 50Hz OR 60Hz 1 Min

CONTACT RESISTANCE: 20mΩ Max

Inductance: 350uH minimum OCL with 8mA bias current

MECHANICAL:

INSERTION FORCE: 2 CONTACTS----350g 4 CONTACTS----500g

6 CONTACTS----750g 8 CONTACTS----900g

10 CONTACTS----1050g

RETENTION STRENGTH: 7.7Kg BETWEEN JACK AND PLUG

DURABILITY: 750 MATING CYCLES Mini

MATERIAL:

HOUSING: 1) GLASS FILLED PA66 (UL94V-0)

2) GLASS FILLED PA46 (UL94V-0)

3) GLASS FILLED PBT (UL94V-0)

SPRING WIRE:1) 0.45mm DIA PHOSPHOR BRONZE GOLD PLATING OVER NICKEL

2) 0.35mm THICKNESS PHOSPHOR BRONZE ALLOY SELECTIVE GOLD PLATING OVER NICKEL

SHIELDING: 0.24mm THICKNESS COPPER ALLOY WITH TIN PLATED

GOLD PLATING: 3μ", 6μ", 15μ", 30μ", 50μ"

WORKING TEMPERATURE: -40 ~70

TOLERANCES UNLESS OTHERWISE SPECIFIED : 0~10±0.15、10~20±0.2、20~40±0.25、40~70±0.3、>70±0.4

 NINGBO RHT ELECTRONIC CO.,LTD

UNITS:mm SHEET SIZE: A4 SCALE:---

0~3 3~18 18~50 50~120

±0.12 ±0.15 ±0.3 ±0.5

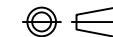
DRWN BY PAN

CHK'D BY FENG

APPR BY ZHAN

Modular Jack with transformer

THIRD ANGLE PROJECTION



RHTLYL005