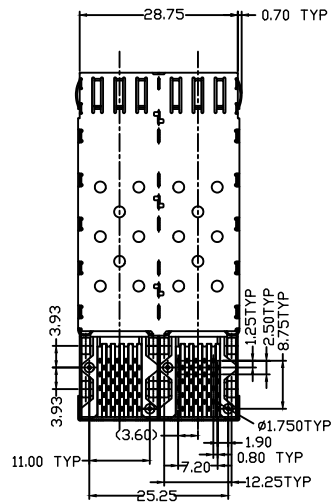


Electrical Specifications:  
 VOLTAGE: 30 VOLTS AC.  
 CURRENT: 0.50 A PER CONTACT.  
 CONTACT RESISTANCE: 50 MILLIOHMS MAX;  
 INSULATION RESISTANCE:  
 1000 MEGADHMS MIN  
 AT 100 VDC FOR 1 MINUTE.  
 DIELECTRIC WITHSTANDING VOLTAGE: 300 VDC MIN;  
 TEMPERATURE:  
 OPERATION: -40°C~+85°C  
 STORAGE: -55°C~+105°C  
 LIGHTPIPE PAD LAYOUT IS FOR LOW-PROFILE LED PACKAGE.  
 LED SIZE(LxWxH): 2x1x0.4MM MAX.  
 RoHS COMPLIANCE.



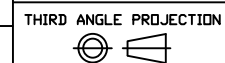
MECHANICAL:  
 CAGES: NICKEL SILVER ALLOY, THICKNESS 0.25MM.  
 CONNECTOR HOUSING: GLASS FILLED PLASTIC, 94V-0, COLOR: BLACK.  
 OVERMOLDED TERMINAL HOUSING: GLASS FILLED PLASTIC, 94V-0, COLOR: BLACK.  
 LIGHTPIPES: POLYCARBONITE, 94 V-0, COLOR: CLEAR.  
 LIGHTPIPE HOLDER: GLASS FILLED PLASTIC, 94V-0, COLOR: BLACK.  
 CLIP: STAINLESS STEEL.  
 EMI SPRING: COPPER ALLOY.  
 TERMINAL: PHOSPHOR BRONZE.  
 GOLD PLATING FOR CONTACT AREA, THICKNESS SEE OPTION.  
 TIN PLATING FOR PRESS FIT AREA.  
 NICKEL PLATING AS UNDERLAYER FOR WHOLE TERMINAL.

**RHTECP** NINGBO RHT ELECTRONIC CO.,LTD

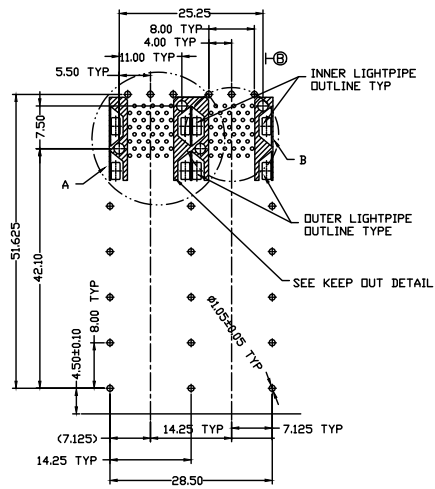
UNITS:mm	SHEET SIZE: A4		SCALE:---
0~3	3~18	18~50	50~120
±0.12	±0.15	±0.3	±0.5

DRWN BY PAN  
 CHK'D BY FENG  
 APPR BY ZHAN

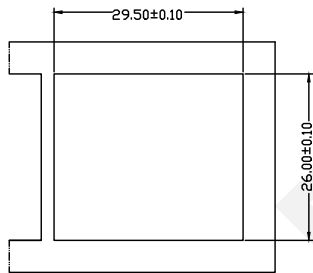
Ethernet Connectors



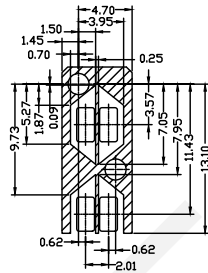
RHTLYFP-019



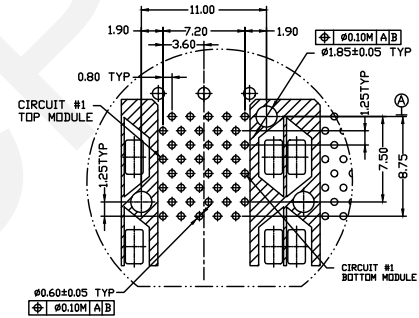
RECOMMENDED PCB LAYOUT-COMPONENT SIDE  
PCB THICKNESS 1.6MM MIN  
TOLERANCE: ±0.05 MM



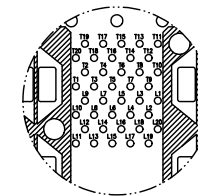
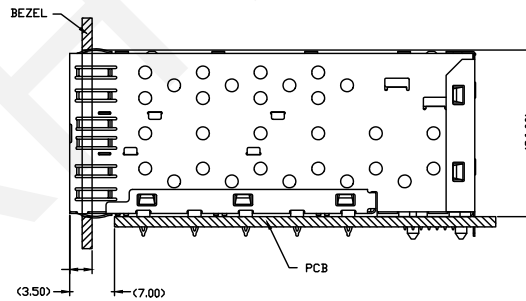
RECOMMENDED BEZEL CUT-OUT CENTER DETAIL  
BEZEL THICKNESS 0.8-2.6MM



KEEP OUT  
ZONE DETAIL  
SCALE: 2:1



DETAIL A  
SCALE: 2:1



CONNECTOR PIN-OUT DETAIL  
COMPONENT SIDE OF BOARD  
DETAIL B  
SCALE: 2:1

NINGBO RHT ELECTRONIC CO.,LTD

UNITS:mm	SHEET SIZE: A4		SCALE:---	
0~3	3~18	18~50	50~120	
±0.12	±0.15	±0.3	±0.5	

DRWN BY PAN  
CHK'D BY FENG  
APPR BY ZHAN

Ethernet Connectors

THIRD ANGLE PROJECTION

RHTLYFP-019