

1 2 3 4 5 6 7 8 9

A A

B B

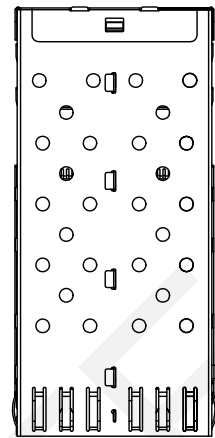
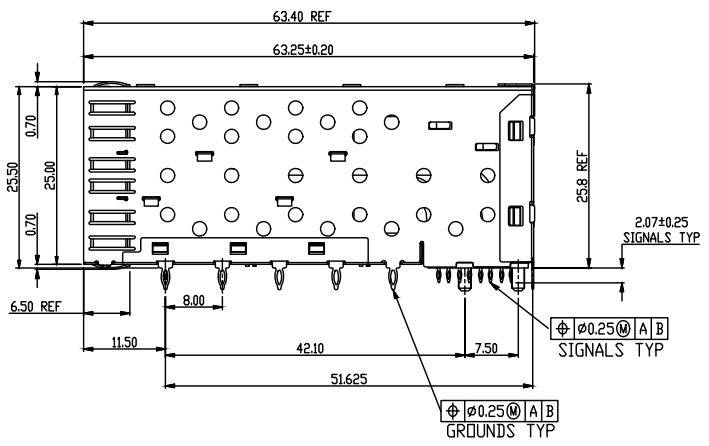
C C

D D

E E

F F

G G



NOTE:

MECHANICAL:

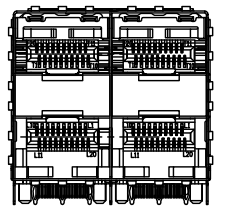
1. CONTACT: PHOSPHOR BRONZE C5210-EH T=0.20mm.
2. CONNECTOR HOUSING: LCP UL 94V-0. COLOR: BLACK.
3. MOULDED INSERT: LCP UL 94V-0. COLOR:BLACK.
4. CAGE: COPPER ALLOY C7701 T=0.25mm.
5. LIGHT PIPES: POLYCARBONATE. UL 94V-0. COLOR:CLEAR
6. LIGHT PIPE HOUSING: PBT+30%.G.F UL 94V-0 COLOR:BLACK.

PLATED:

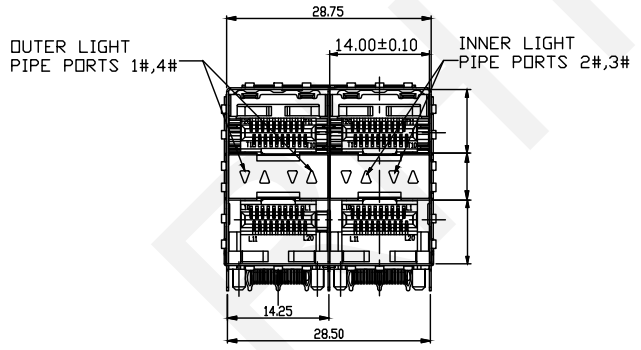
1. CONTACT AREA : PLATING GOLD 15u"MIN OVER 50~80u" NICKEL
2. DURABILITY: 100 CYCLES MIN.
3. INSERTION AND EXTRACTION FORCE: 40N MAX & 11.5N MAX

ENVIRONMENTAL:

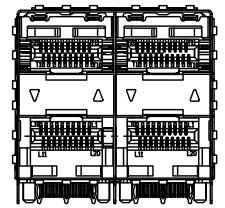
1. LOW LEVEL CONTACT RESITANCE(ALLCR):
ΔR 10 MILLIOHMS MAXIMUM FOR SHIELD AND SIGNAL CONTACTS.
2. DIELECTRIC WITHSTANDING VOLTAGE: 300V AC/MAX.
3. INSULATION RESISTANCE: 1000MΩ MIN.
4. RATINGS CURRENT: 0.5 Amps MAX.
5. RATINGS VOLTAGE: 120 volts AC.
6. OPERATION: -40°C~+85°C.
7. STORAGE: -55°C~+105°C.
8. ROHS COMPLIANT



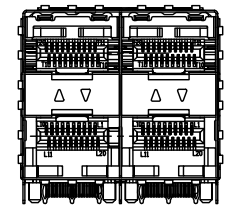
RHTLYFP-023
WITHOUT LIGHT PIPES



RHTLYFP-023L-4
WITH INNER/OUTER
LIGHT PIPES



RHTLYFP-023L-2A
WITHOUT LIGHT PIPES



RHTLYFP-023L-2B
WITHOUT LIGHT PIPES

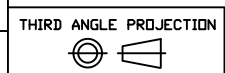


NINGBO RHT ELECTRONIC CO.,LTD

UNITS:mm	SHEET SIZE: A4			SCALE:---
0~3	3~18	18~50	50~120	
±0.12	±0.15	±0.3	±0.5	

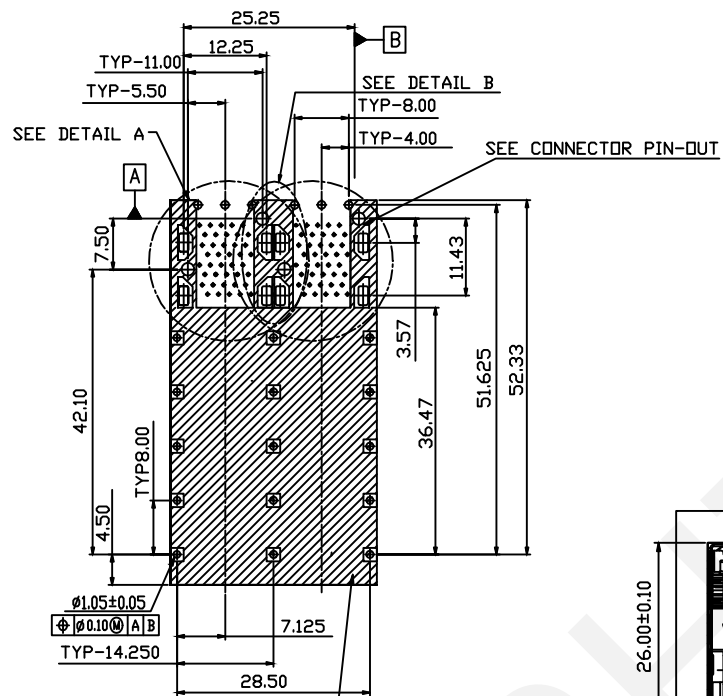
DRWN BY PAN
CHK'D BY FENG
APPR BY ZHAN

2x1 Press Fit Connector

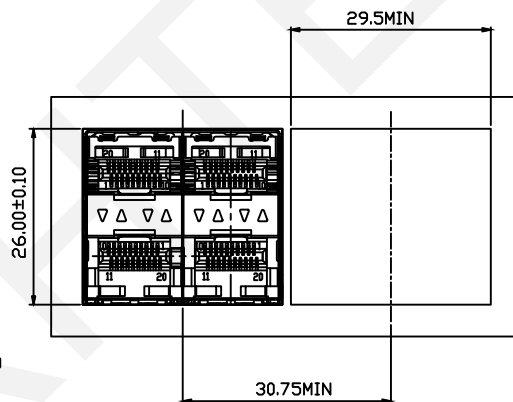


RHTLYFP-023

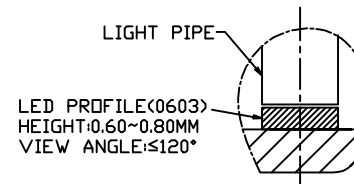
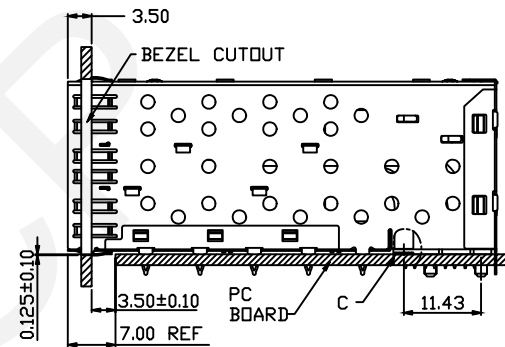
1 2 3 4 5 6 7 8 9



RECOMMENDED PC BOARD LAYOUT
AS VIEWED FROM COMPONENT SIDE
TOLERANCE ±0.05mm



BEZEL CUT-OUT CENTER SPACING DETAIL
BEZEL THICKNESS:0.8-2.6



DETAIL C
SCALE 4:1

 NINGBO RHT ELECTRONIC CO.,LTD

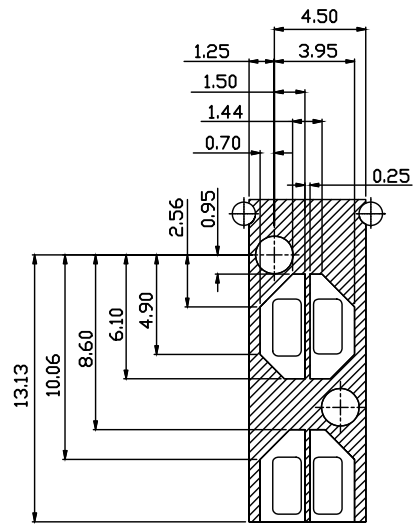
UNITS:mm	SHEET SIZE: A4		SCALE:---	
0~3	3~18	18~50	50~120	
±0.12	±0.15	±0.3	±0.5	

DRWN BY PAN
CHK'D BY FENG
APPR BY ZHAN

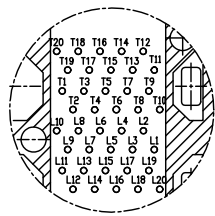
2x1 Press Fit Connector



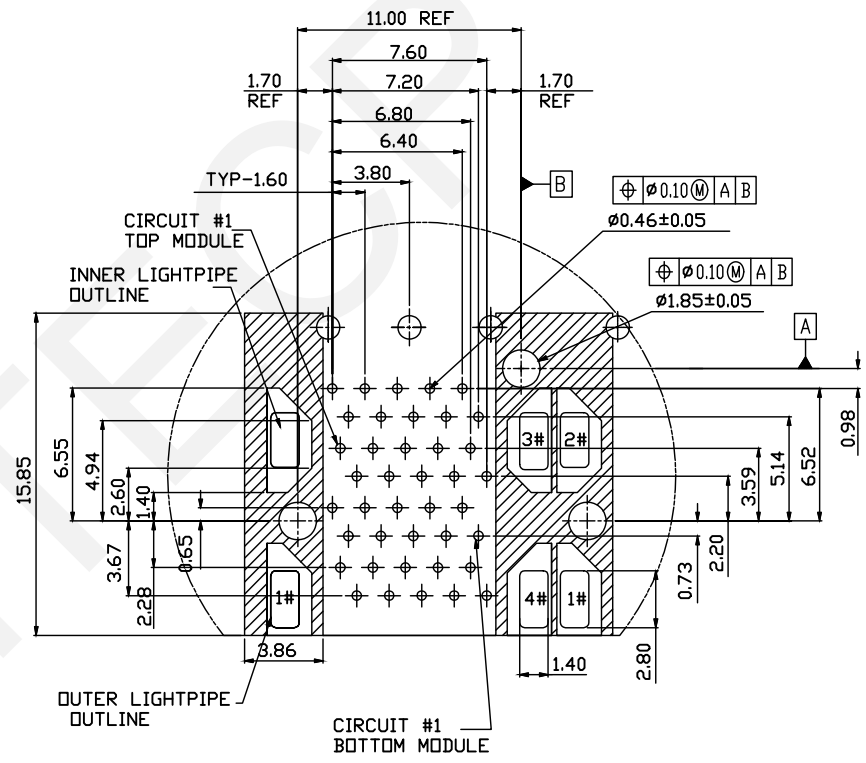
RHTLYFP-023



DETAIL B
SCALE 6:1



CONNECTOR PIN-OUT
COMPONENT SIDE OF BOARD

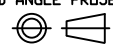


DETAIL A
SCALE 6:1

 NINGBO RHT ELECTRONIC CO.,LTD

UNITS:mm	SHEET SIZE: A4		SCALE:---	
0~3	3~18	18~50	50~120	
±0.12	±0.15	±0.3	±0.5	

DRWN BY PAN
CHK'D BY FENG
APPR BY ZHAN

2x1 Press Fit Connector
THIRD ANGLE PROJECTION


RHTLYFP-023