

NOTE:

- | 1, DESCRIPTION | QTY | PLATING |
|----------------|------|---|
| 01 SFP CAGE | 1PCS | COPPER ALLOY T=0.25 N/A |
| 02 LIGHTPIPE | 1PCS | POLYCARBONATE, UL94V-0 COLOR: CLEAR N/A |
| 03 EMI SPRINGS | 4PCS | BERYLLIUM COPPER T=0.08 NI FOR ALL |
- 2, TEMPERATURE:
STORAGE: -55°C~+105°C
- 3, INSERTION AND EXTRACTION FORCE: 40N MAX&11.5 MAX
- 4, DURABILITY: 100 CYCLES MIN.

 NINGBO RHT ELECTRONIC CO.,LTD

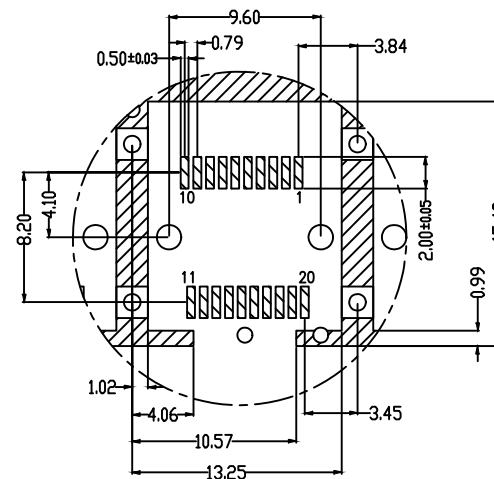
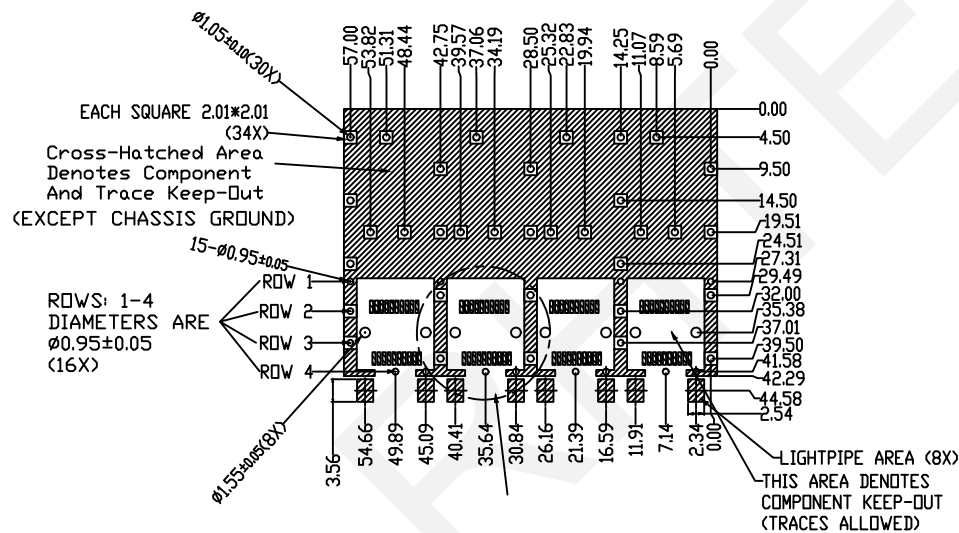
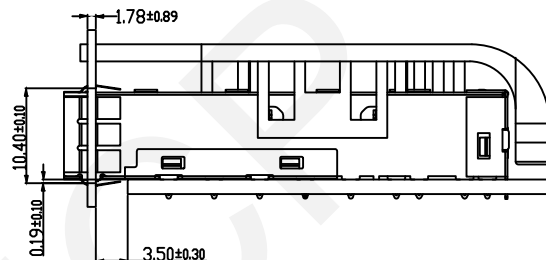
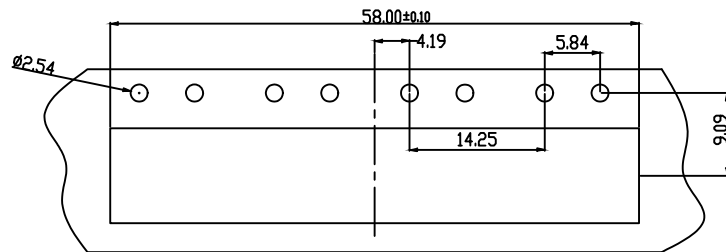
UNITS:mm	SHEET SIZE: A4			SCALE:---
0~3	3~18	18~50	50~120	
±0.12	±0.15	±0.3	±0.5	

DRWN BY PAN
CHK'D BY FENG
APPR BY ZHAN

Cage 1x1 Press-fit with light pipe



RHTLYFR-016A



See Detail A (Scale 2:5:1)

PCB LAYOUT THICKNESS=3.0MM (TOP VIEW)

NINGBO RHT ELECTRONIC CO.,LTD

UNITS:mm	SHEET SIZE: A4			SCALE:---
0~3	3~18	18~50	50~120	
±0.12	±0.15	±0.3	±0.5	

DRWN BY PAN
 CHK'D BY FENG
 APPR BY ZHAN

Cage 1x1 Press-fit with light pipe

THIRD ANGLE PROJECTION

RHTLYFR-016A