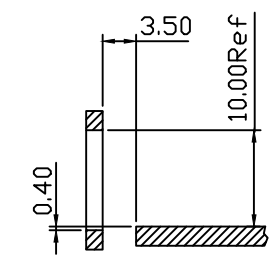
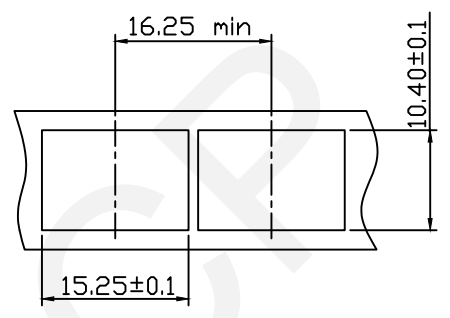
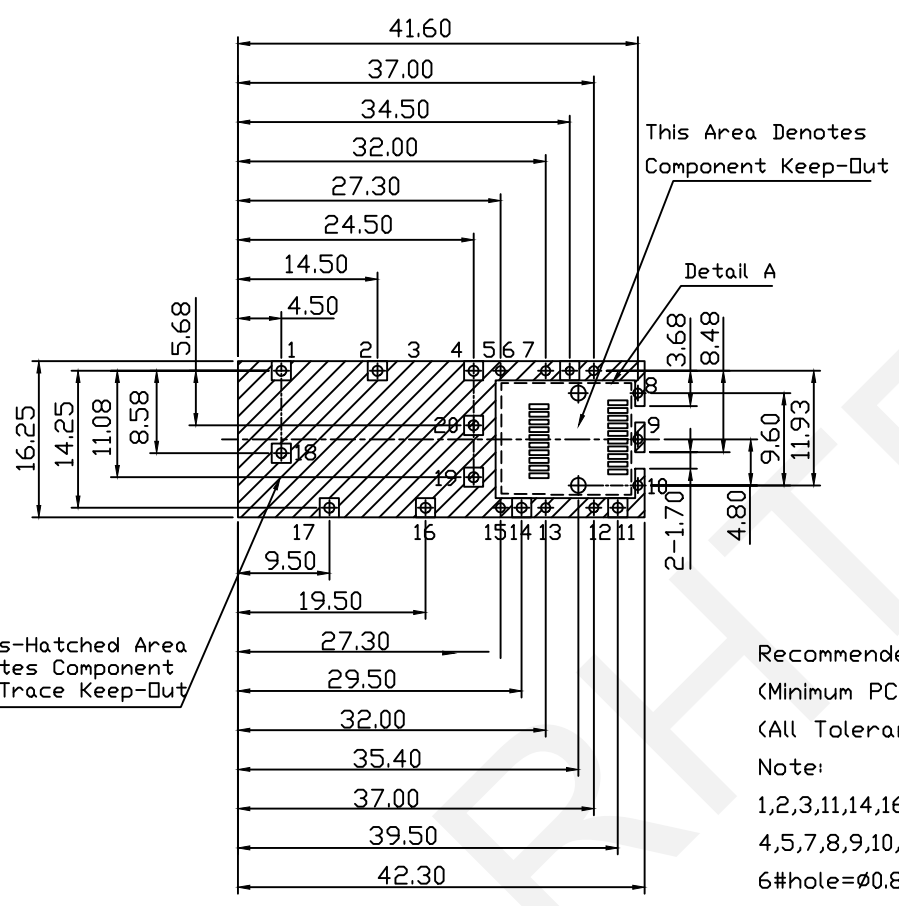
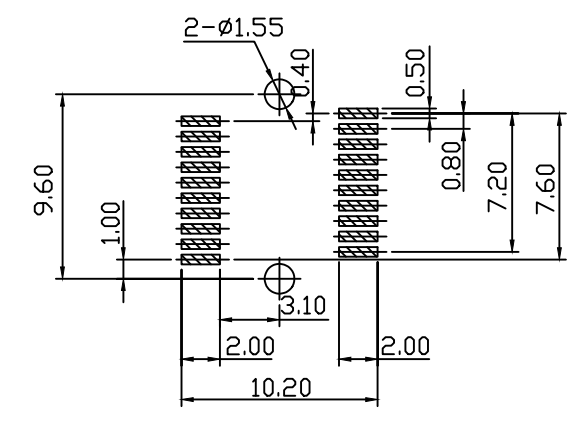


G	NINGBO RHT ELECTRONIC CO.,LTD			UNITS:mm	SHEET SIZE: A4	SCALE:---	DRWN BY PAN	Cage 1x1 Press-fit		
				0~3	3~18	18~50	50~120	CHK'D BY FENG	THIRD ANGLE PROJECTION 	RHTLYFR-011
				±0.12	±0.15	±0.3	±0.5	APPR BY ZHAN		
1	2	3	4	5	6	7	8	9		



Bezel
 Recommended Bezel Thickness: 0.80~2.60mm
 Bezel Opening
 Below Top Of PCB

Recommended PCB Thickness: 2.36
 (Minimum PCB Thickness: 1.57)
 (All Tolerances Are ±0.05)
 Note:
 1,2,3,11,14,16,17,18,19,20# hole=∅1.05mm,
 4,5,7,8,9,10,12,13,15# hole=∅0.95mm;
 6#hole=∅0.85mm;



Detail A

NINGBO RHT ELECTRONIC CO.,LTD

UNITS:mm	SHEET SIZE: A4			SCALE:---
0~3	3~18	18~50	50~120	
±0.12	±0.15	±0.3	±0.5	

DRWN BY PAN
 CHK'D BY FENG
 APPR BY ZHAN

Cage 1x1 Press-fit
 THIRD ANGLE PROJECTION
 RHTLYFR-011