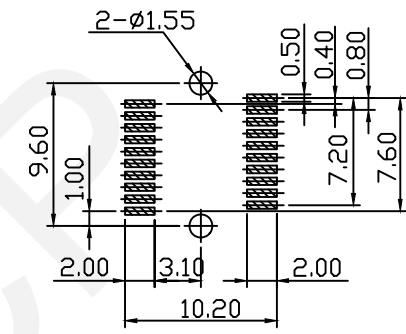
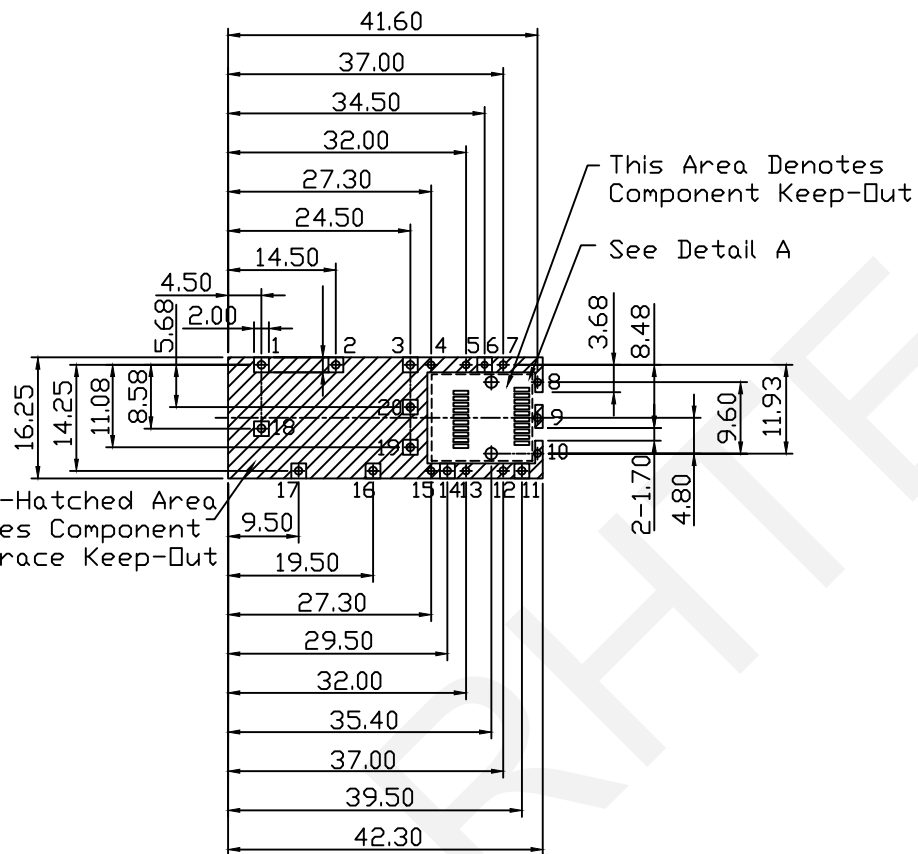
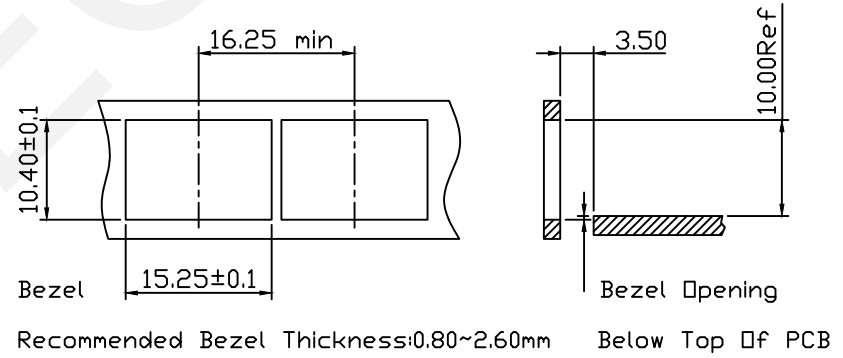


|   |                               |   |   |          |                |           |             |                    |                        |   |
|---|-------------------------------|---|---|----------|----------------|-----------|-------------|--------------------|------------------------|---|
| G | NINGBO RHT ELECTRONIC CO.,LTD |   |   | UNITS:mm | SHEET SIZE: A4 | SCALE:--- | DRWN BY PAN | Connector 1x1 Cage |                        | G |
|   |                               |   |   | 0~3      | 3~18           | 18~50     | 50~120      |                    |                        |   |
|   |                               |   |   | ±0.12    | ±0.15          | ±0.3      | ±0.5        | APPR BY ZHAN       | THIRD ANGLE PROJECTION |   |
| 1 | 2                             | 3 | 4 | 5        | 6              | 7         | 8           | 9                  |                        |   |



Detail A (Scale 2:1)



Recommended PCB Thickness: 2.36 (Top View)  
 (Minimum PCB Thickness: 1.57)  
 (All Tolerances Are  $\pm$ 0.05)

Note:  
 1,2,3,11,14,16,17,18,19,20# hole  $\phi$ 1.05mm,  
 4,5,7,8,9,10,12,13,15# hole  $\phi$ 0.95mm;  
 6# hole  $\phi$ 0.85mm;

|            |                |           |           |           |
|------------|----------------|-----------|-----------|-----------|
| UNITS:mm   | SHEET SIZE: A4 |           |           | SCALE:--- |
| 0~3        | 3~18           | 18~50     | 50~120    |           |
| $\pm$ 0.12 | $\pm$ 0.15     | $\pm$ 0.3 | $\pm$ 0.5 |           |

DRWN BY PAN  
 CHK'D BY FENG  
 APPR BY ZHAN

Connector 1x1 Cage

THIRD ANGLE PROJECTION

RHTLYFP-01