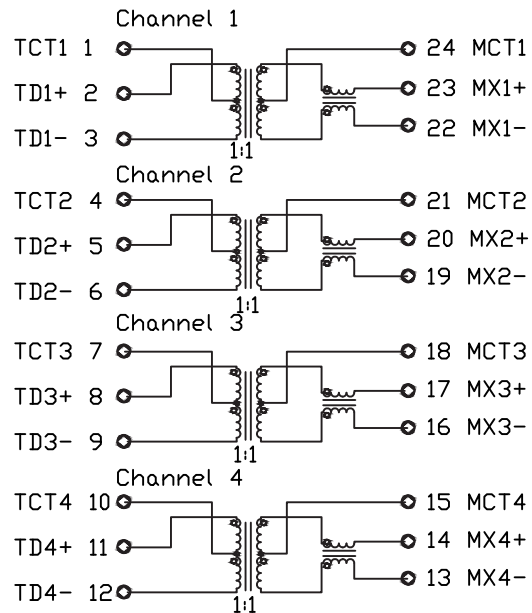


Electrical Specifications:
 Part Number
 Ethernet magnetic Transformers
 Insertion Loss: 1-100MHZ -1.0dB MAX
 Return Loss : 1-30MHZ -16.0dB MIN
 30-60MHZ -14.0dB MIN 60-80MHZ -10.0dB MIN
 Cross Talk : 1-30MHZ -40.0dB MIN
 30-60MHZ -35.0dB MIN 60-80MHZ -30.0dB MIN
 CMR: 1-100MHZ -35.0dB MIN
 Hi-Pot:1500v AC 6S 1mA Turn Ratio: 1CT:1CT+/-3%
 DCL:350uH MIN @ 100KHZ 100mV 8mA DC
 Operating temperature range:0°C to +70°C



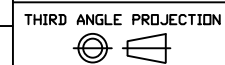
DIM	MILLIMETERS		INCHES	
	MIN	MAX	MIN	MAX
A	17.25	17.75	0.706	0.699
B	12.00	12.50	0.472	0.492
C	5.95 (max)		0.234 (max)	
D	13.97(typical)		0.550(typical)	
E	0.15	0.45	0.006	0.018
F	1.27(typical)		0.050(typical)	
G	0.46(typical)		0.018(typical)	
H	15.70	16.30	0.618	0.642
I	0°	8°	0°	8°
J	0.60	1.20	0.024	0.047
X	0.76(typical)		0.030(typical)	
Y	2.29(typical)		0.090(typical)	
Z	16.76(typical)		0.660(typical)	

NINGBO RHT ELECTRONIC CO.,LTD

UNITS:mm	SHEET SIZE: A4			SCALE:---
0~3	3~18	18~50	50~120	
±0.12	±0.15	±0.3	±0.5	

DRWN BY PAN
 CHK'D BY FENG
 APPR BY ZHAN

Ethernet magnetic Transformers



RHTLYFR-007