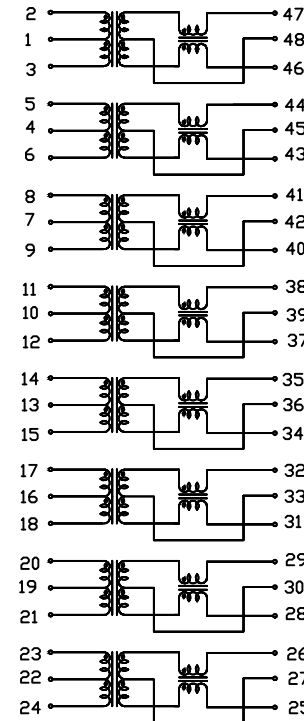


Ethernet magnetic Transformers

- Designed to meet IEEE 802.3 requirements.
- Operating Humidity:90%RH
- Storage temperature range:-40~+80°C,90%RH
- RoHS compliant

Electrical Specification@25°C Operating Temperature 0 to +70°C							
Part NO	Trun Ratio (±3%)		DCL primary@ 100KHz,0.1Vrms,8mA	Leakage primary@ 10KHz,0.1Vrms	Cww (Pri:Sec.)	DCR(Ω)	
	TX	RX				Primary	Secondary
RHTLYFR-005	1CT:1CT	1CT:1CT	350uH Min	0.5uH max	35pF Max	0.9 Max	1.2 Max

Electrical Specification@25°C Operating Temperature 0 to +70°C									
Part NO	Insertion Ioss (dB max) 1-100MHz	Return Ioss(dB min) MHz				DMRR (dB min.) MHz		Crosstalk (dB min.) MHz	Isolation Voltage (Vrms min)
		1-30	40	50	60-100	1-60	60-100		
RHTLYFR-005	-1.0	-18	-16	-16	-10	-35	-30	-33	1500



NINGBO RHT ELECTRONIC CO.,LTD

UNITS:mm	SHEET SIZE: A4			SCALE:---
0~3	3~18	18~50	50~120	
±0.12	±0.15	±0.3	±0.5	

DRWN BY PAN  
CHK'D BY FENG  
APPR BY ZHAN

Ethernet magnetic Transformers  
THIRD ANGLE PROJECTION  
 RHTLYFR-005