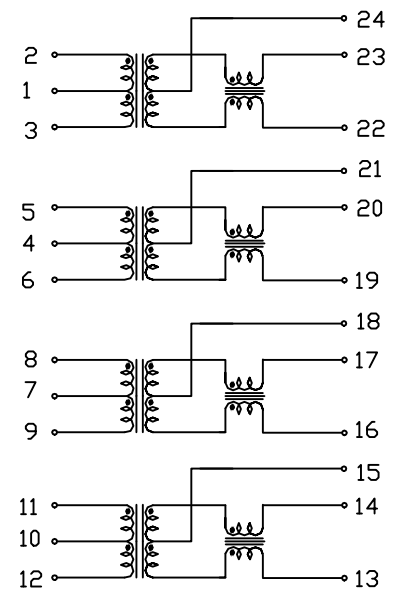


Ethernet magnetic Transformers

- Designed to meet IEEE 802.3 requirements.
- Operating Humidity:90%RH
- Storage temperature range: -40~+80°C,90%RH
- RoHS compliant

| Electrical Specification@25°C Operating Temperature 0 to +70°C | | | | | | | |
|--|------------------|---------|--|--------------------------------|----------------|---------|-----------|
| Part NO | Trun Ratio (±3%) | | □CL primary@ 100KHz/0.1Vrms,with8 mA DC Bals | Leakage primary@ 10KHz,0.1Vrms | Cww (Pri:Sec.) | DCR(Ω) | |
| | TX | RX | | | | Primary | Secondary |
| RHTLYFR-004 | 1CT:1CT | 1CT:1CT | 350uH Min | 0.5uH max | 35pF Max | 1.0 Max | 1.2 Max |

| Electrical Specification@25°C Operating Temperature 0 to +70°C | | | | | | | | | |
|--|----------------------------------|-------------------------|-----|-----|--------|--------------------|--------|-------------------------|------------------------------|
| Part NO | Insertion Ioss (dB max) 1-100MHz | Return Ioss(dB min) MHz | | | | DMRR (dB min.) MHz | | Crosstalk (dB min.) MHz | Isolation Voltage (Vrms min) |
| | | 1-30 | 40 | 50 | 60-100 | 1-60 | 60-100 | 1-100 | |
| RHTLYFR-004 | -1.0 | -18 | -16 | -16 | -10 | -35 | -30 | -33 | 1500 |



RHTECP NINGBO RHT ELECTRONIC CO.,LTD

| | | | |
|----------|----------------|-----------|-------------|
| UNITS:mm | SHEET SIZE: A4 | SCALE:--- | DRWN BY PAN |
| 0~3 | 3~18 | 18~50 | 50~120 |
| ±0.12 | ±0.15 | ±0.3 | ±0.5 |

CHK'D BY FENG
APPR BY ZHAN

Ethernet magnetic Transformers
THIRD ANGLE PROJECTION
RHTLYFR-004