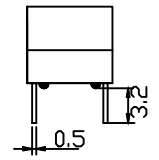
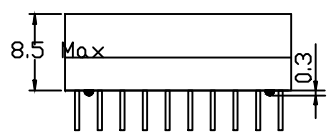


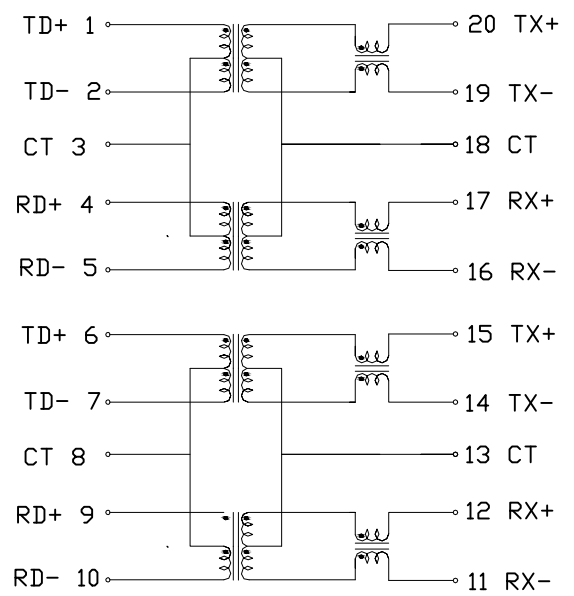
SUGGESTED PCB LAYOUT



Ethernet magnetic Transformers

- Designed to meet IEEE 802.3 requirements.
- Operating Humidity:90%RH
- Storage temperature range:: -40~+125°C,90%RH
- RoHS compliant

Electrical Specification@25°C Operating Temperature 0 to + 70°C							
Part NO	Trun Ratio (±3%)		DCL primary@ 100KHz,0.1Vrms,8mA	Leakage primary@ 100KHz,0.1Vrms	Cww (Pri:Sec.)	DCR(Ω)	
	TX	RX				Primary	Secondary
RHTLYFR-003	1CT:1CT	1CT:1CT	350uH Min	0.5uH max	65pF Max	1.0 Max	1.2 Max



Electrical Specification@25°C Operating Temperature 0 to +70°C									
Part NO	Insertion Ioss (dB max) 1-100MHz	Return Ioss(dB min) MHz				DMRR (dB min .) MHz		Crosstalk (dB min .) MHz	Isolation Voltage (Vrms min)
		1-30	40	50	60-100	1-60	60-100		
RHTLYFR-003	-1.0	-18	-16	-16	-10	-35	-30	-33	1500

NINGBO RHT ELECTRONIC CO.,LTD

UNITS:mm	SHEET SIZE: A4			SCALE:---
0~3	3~18	18~50	50~120	
±0.12	±0.15	±0.3	±0.5	

DRWN BY PAN
CHK'D BY FENG
APPR BY ZHAN

Ethernet magnetic Transformers
THIRD ANGLE PROJECTION
 RHTLYFR-003