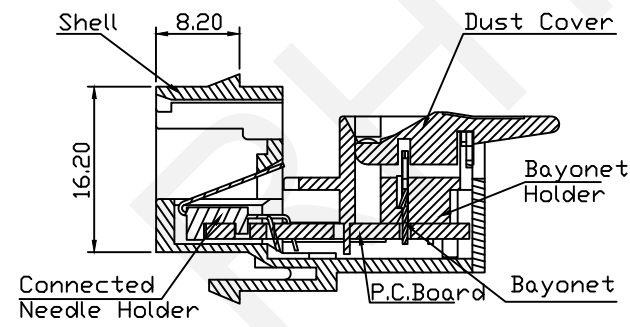
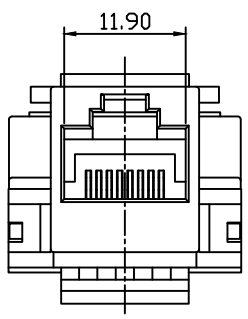
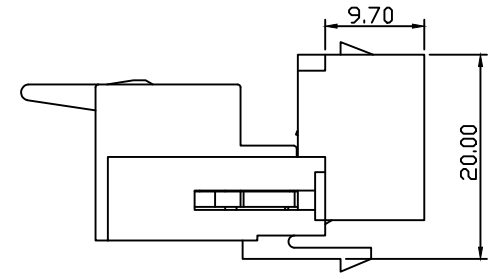
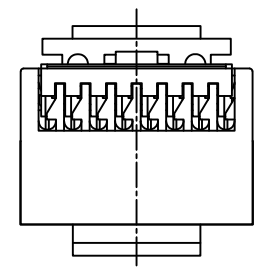


Notes:

- Material:  
Housing:PC,UL94V-2  
Contact:Phosphor Bronze,Gold Plated
- Electric  
Contact Resistance:2.5mΩ Max  
Insulation Resistance:1000MΩ Min  
Withstand Voltage Strength:  
DC1000V(AC700V) For 1 Minute Without  
Breakdown Or Arcing Phenomenon  
Electrical Transmission Performance:  
In Accordance With TIA/EIA 568 CAT5E



Section A-A

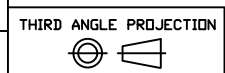


 NINGBO RHT ELECTRONIC CO.,LTD

UNITS:mm	SHEET SIZE: A4			SCALE:---
0~3	3~18	18~50	50~120	
±0.12	±0.15	±0.3	±0.5	

DRWN BY PAN  
CHK'D BY FENG  
APPR BY ZHAN

CAT5E UTP 8P8C Keystone Jacks



RHTLYK8007-8P8C