

Notes:

1. Material:

Housing:PC,UL94V-2

Contact:Phosphor Bronze,Gold Plated

2. Electric

Contact Resistance:2.5mΩ Max

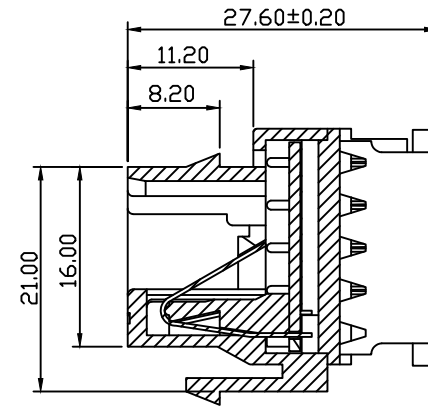
Insulation Resistance:1000MΩ Min

Withstand Voltage Strength:

DC500V (AC350V) For 1 Minute Without Breakdown Or Arcing Phenomenon

Electrical Transmission Performance:

In Accordance With TIA/EIA 568 CAT5E



SECTION A-A

 NINGBO RHT ELECTRONIC CO.,LTD

UNITS:mm SHEET SIZE: A4 SCALE:---

0~3	3~18	18~50	50~120
-----	------	-------	--------

±0.12	±0.15	±0.3	±0.5
-------	-------	------	------

DRWN BY PAN

CHK'D BY FENG

APPR BY ZHAN

CAT5E UTP 8P8C Keystone Jacks

THIRD ANGLE PROJECTION



RHTLYK8005-8P8C