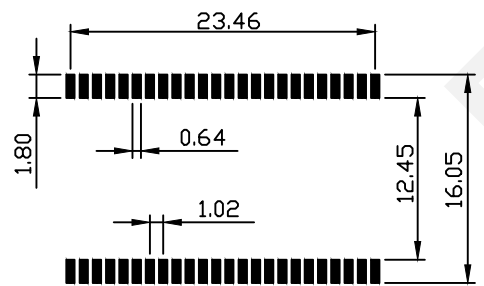
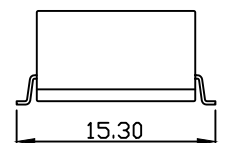
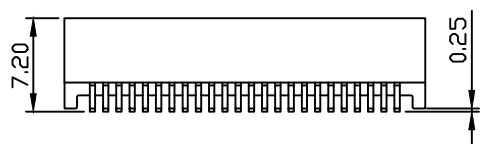
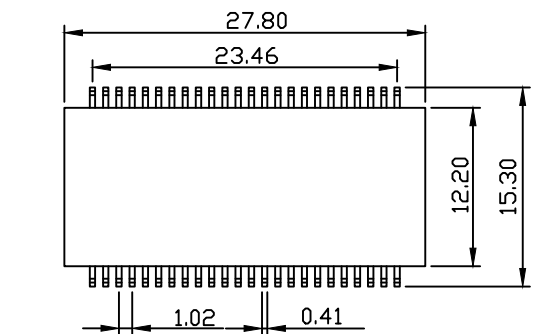
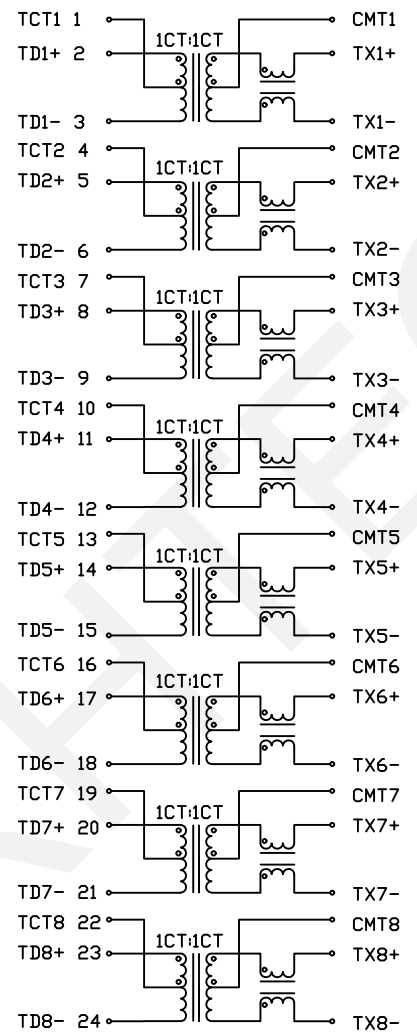


Dimension: unit:mm



PCB LAYOUT

Schematic



Electrical Specification:

@25°C Operating Temperature 0 to +70°C

Part No.:RHTLY248K-S012LF

Turn Ratio(±3%): TX 1CT:1CT

RX 1CT:1CT

Insertion loss: 1-100MHz 1.0dB max.

Return loss: 1-30MHz -18dB min.

40MHz -18dB min.

50MHz -16dB min.

60-80MHz -12dB min.

100MHz -10dB min.

DCMR : 30MHz -43dB min.

60MHz -37dB min.

100MHz -33dB min.

Crosstalk: 30MHz -45dB min.

60MHz -40dB min.

100MHz -35dB min.

Hi-Pot 1500 Vrms Min.

Features:

- 1.Designed for long haul gigabit ethernet (10/100/1000 Base-T) full duplex applications
- 2.Supports 4 pairs of CAT5 UTP cable
- 3.Cable interface for isolation and low common mode emissions
- 4.Compliant with IEEE 802.3ab standard for 1000 Base-T
- 5.RoHS Compliant

RHTLY248K-S012LF-T Packing: Tube

RHTLY248K-S012LF-R Packing: Tape&Reel

NINGBO RHT ELECTRONIC CO.,LTD

UNITS:mm	SHEET SIZE: A4			SCALE:---
0~3	3~18	18~50	50~120	
±0.12	±0.15	±0.3	±0.5	

DRWN BY PAN
CHK'D BY FENG
APPR BY ZHAN

1000 Base-T Magnetics Modules
THIRD ANGLE PROJECTION
 RHTLY248K-S012LF