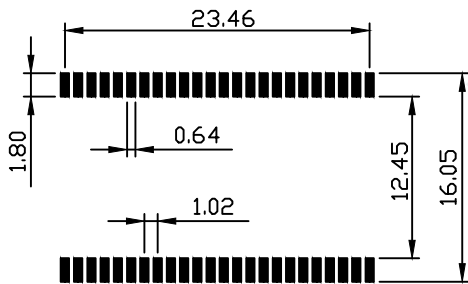
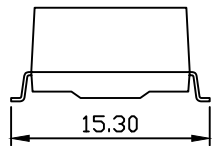
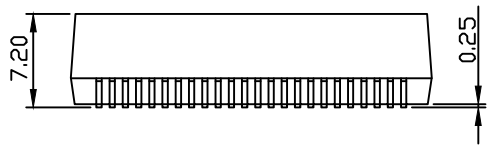
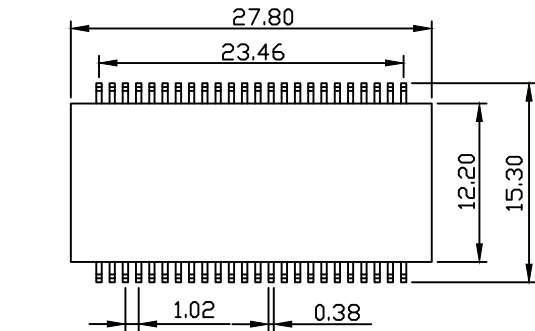
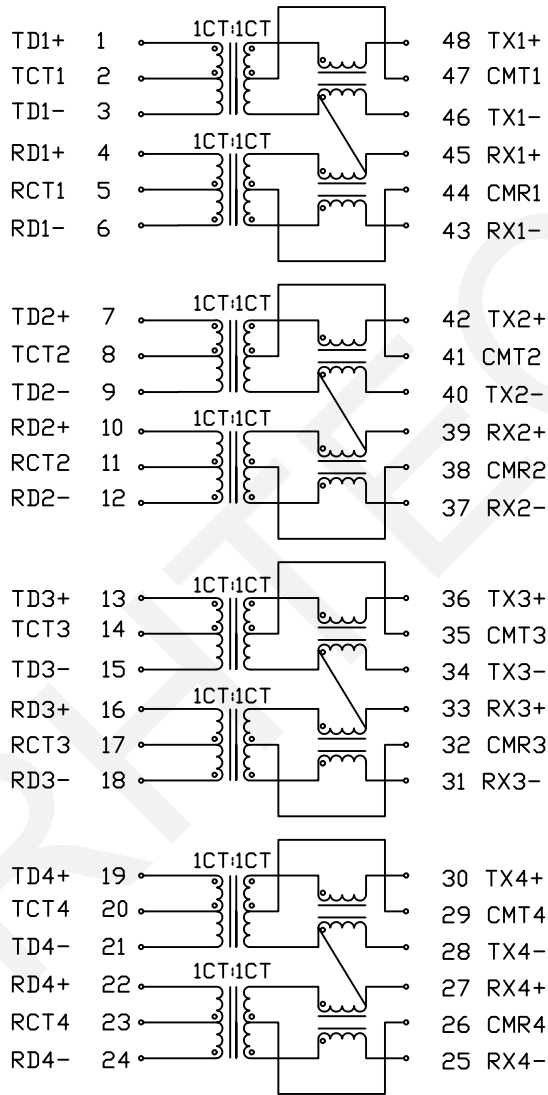


Dimension: unit:mm



PCB LAYOUT



Electrical Specification:

@25°C Operating Temperature 0 to +70°C

Part No.:RHTLY248K-S010LF

Turn Ratio(±3%): TX 1CT:1CT

∅CL primary@ 100KHz, 0.1Vrms, 8mA : 350uH Min

Insertion loss:1-100MHz -1.0dB max

Return loss:1-30MHz -18dB min

40-60MHz -13.1dB min

60-80MHz -12dB min

100MHz -10dB min

DCMR : 30MHz -43dB min .

60MHz -37dB min .

100MHz -33dB min .

Crosstalk: 30MHz: -43.5dB min

60MHz: -37.5dB min

100MHz: -33dB min

Hi-Pot: 1500 Vrms Min.

Features:

- 1.Designed to meet IEEE 802.3 requirements.
- 2.Designed to meet IR 255°C peak Requirement.
- 3.Storage temperature range: 0~+85°C, 90%RH
- 4.RoHS Compliant
- 5.Single Port for NIC Application

RHTLY248K-S010LF-T Packing: Tube

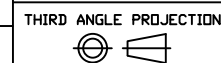
RHTLY248K-S010LF-R Packing: Tape&Reel

NINGBO RHT ELECTRONIC CO.,LTD

UNITS:mm	SHEET SIZE: A4			SCALE:---
0~3	3~18	18~50	50~120	
±0.12	±0.15	±0.3	±0.5	

DRWN BY PAN
CHK'D BY FENG
APPR BY ZHAN

10/100/1000 Base-T DUAL
Port Transformer Modules



RHTLY248K-S010LF