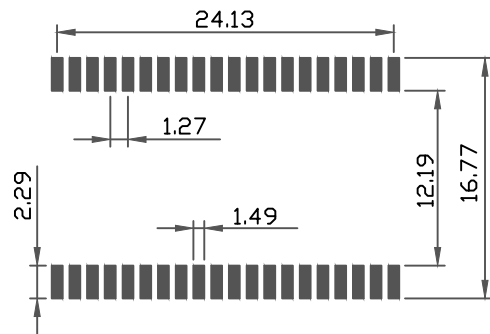
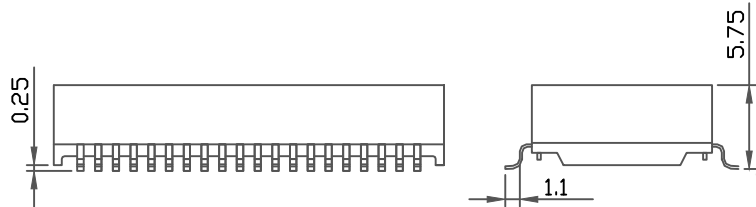
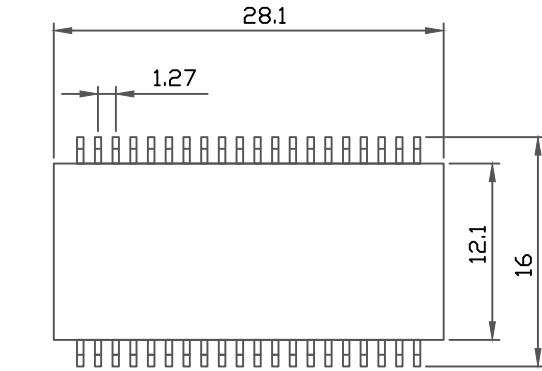
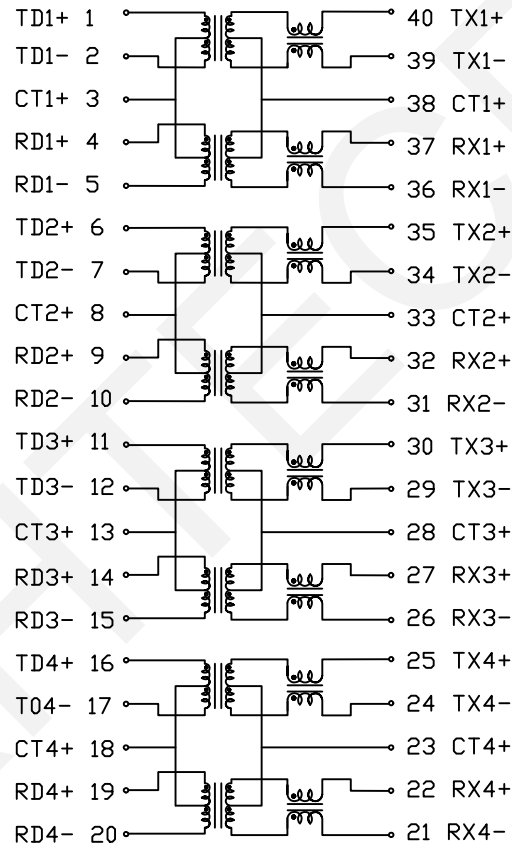


Dimension: unit:mm



Schematic



Electrical Specification:

@25°C Operating Temperature 0 to +70°C

Part No.:RHTLY240M-S007LF

Turn Ratio(±3%): TX 1CT:1CT
RX 1CT:1CT

Primary inductance (LP): 350uH,min.

@100KHz,0.1Vrms,8mA

Leakage primary@10KHz,0.1Vrms, 0.5uH Max

Insertion loss: 1-100MHz: -1.0dB max

Return loss: 1-30MHz: -16dB min

40MHz: -14.4dB min

50MHz: -13.1dB min

60-80MHz: -12dB min

100MHz: -10dB min

Differential to: 30MHz: -45dB min

COMMON Mode: 60MHz: -40dB min

Rejection : 100MHz: -35dB min

Crosstalk: 30MHz: -43.5dB min

60MHz: -37.5dB min

100MHz: -33dB min

Hi-Pot: 1500 Vrms Min.

Features:

- 1.Designed to meet IEEE 802.3 requirements.
- 2.Peak solder temperature rating per Table 5-2 in IPC/JEDEC J-STD-020C
- 3.RoHS Compliant

RHTLY240M-S007LF-T Packing: Tube

RHTLY240M-S007LF-R Packing: Tape&Reel

 NINGBO RHT ELECTRONIC CO.,LTD

UNITS:mm	SHEET SIZE: A4	SCALE:---	DRWN BY PAN
0~3	3~18	18~50	50~120
±0.12	±0.15	±0.3	±0.5

CHK'D BY FENG
APPR BY ZHAN

10/100 Base-Tx Transformer Modules	
THIRD ANGLE PROJECTION	RHTLY240M-S007LF