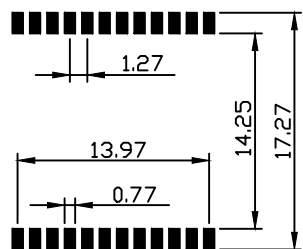
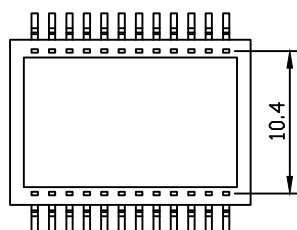
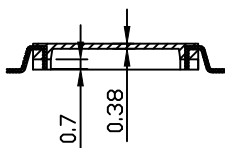
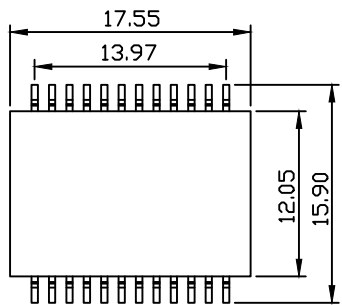
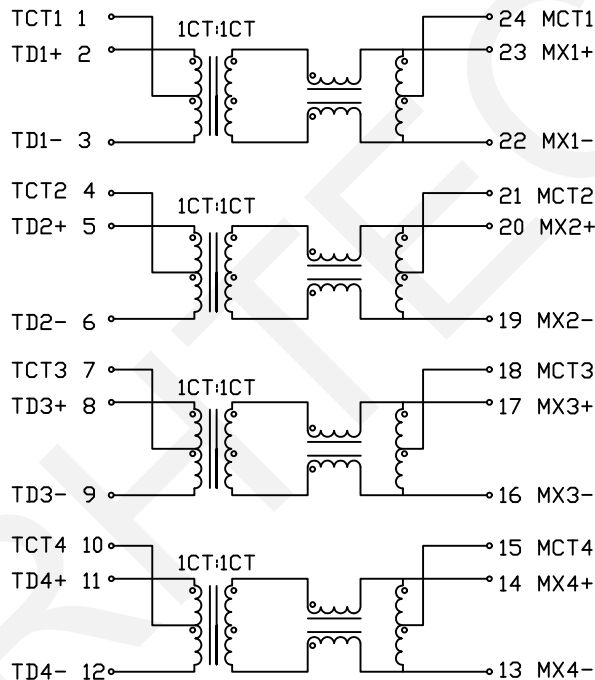


Dimension: unit:mm



Schematic



Electrical Specification:

@25°C Operating Temperature 0 to +70°C

Part No.:RHTLY224K-S008LF

Turn Ratio(±3%): TX 1CT:1CT

RX 1CT:1CT

Insertion loss: 1-100MHz: -1.0dB max

Return loss: 1-30MHz: -20dB min

30-60MHz: -12dB min

60-80MHz: -16dB min

100MHz: -10dB min

DCMR: 1-50MHz: -30dB min

50-150MHz: -20dB min

Crosstalk: 1-30MHz: -40dB min

30-60MHz: -35dB min

60-100MHz: -30dB min

Hi-Pot :1500 Vrms Min.

1.Designed for long haul gigabit ether net

(10/100/1000Base-T) full duplex applications

2.Supports 4 pairs of CAT5 UTP cable

3.Cable interface for isolation and low common

mode emissions

4.Compliant with IEEE 802.3ab standard for 1000 Base-T

5.RoHS Compliant

RHTLY224K-S008LF-T Packing: Tube

RHTLY224K-S008LF-R Packing: Tape&Reel

NINGBO RHT ELECTRONIC CO.,LTD

UNITS:mm	SHEET SIZE: A4			SCALE:---
0~3	3~18	18~50	50~120	
±0.12	±0.15	±0.3	±0.5	

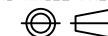
DRWN BY PAN

CHK'D BY FENG

APPR BY ZHAN

1000 Base-T Magnetics Modules

THIRD ANGLE PROJECTION



RHTLY224K-S008LF