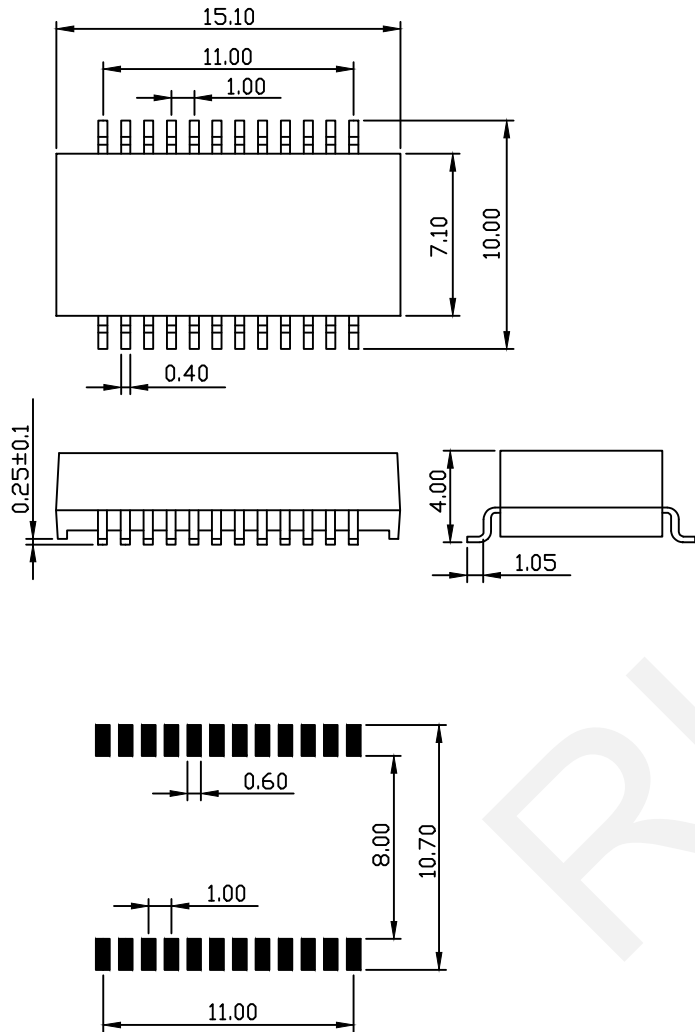
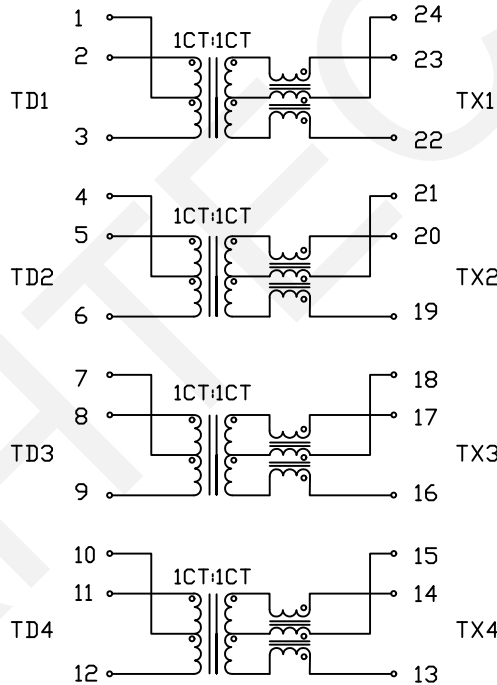


Dimension: unit:mm



Schematic



Electrical Specification:

@25°C Operating Temperature 0 to +70°C

Part No.:RHTLY224K-S003LF

Turn Ratio(±3%): TX 1CT:1CT

RX 1CT:1CT

QCL,primary@ 100KHz,0.1Vrms,8mA: 350uH Min

Leakage primary@10KHz,0.1Vrms, 0.5uH Max

C_{ww} (Pri.:Sec.):35pF Max

DCR (Ω): Primary: 0.9 Max

Secondary: 1.2 Max

Insertion loss: 1-100MHz: -1.0dB max

Return loss: 1-30MHz: -18dB min

40MHz: -16dB min

50MHz: -16dB min

60-100MHz: -10dB min

DMRR: 1-60MHz: -35dB min

60-100MHz: -30dB min

Crosstalk: 1-100MHz: -33dB min

Isolation Voltage: 1500 Vrms Min.

Features:

1. Designed to meet IEEE 802.3 requirements.
2. Operating Humidity:90%RH
3. Storage temperature range:-40~+80°C,90%RH
4. RoHS Compliant

RHTLY224K-S003LF-T Packing: Tube

RHTLY224K-S003LF-R Packing: Tape&Reel

 NINGBO RHT ELECTRONIC CO.,LTD

UNITS:mm	SHEET SIZE: A4			SCALE:---
0~3	3~18	18~50	50~120	
±0.12	±0.15	±0.3	±0.5	

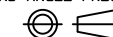
DRWN BY PAN

CHK'D BY FENG

APPR BY ZHAN

100/1000 Base-Tx Transformer Modules

THIRD ANGLE PROJECTION



RHTLY224K-S003LF