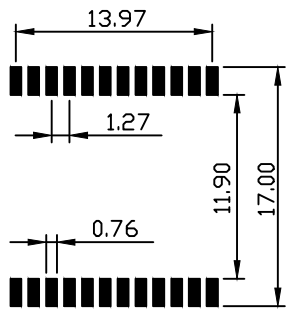
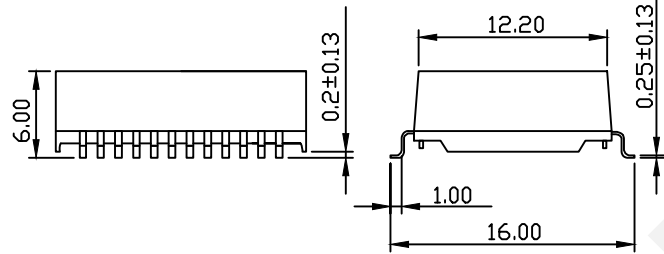
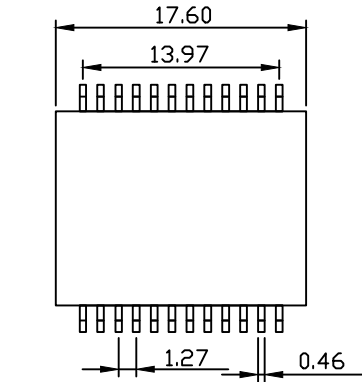
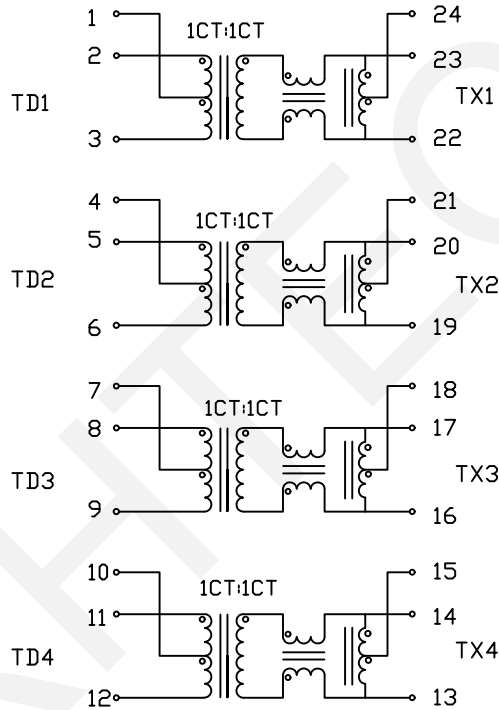


Dimension: unit:mm



Schematic



Electrical Specification:

@25°C Operating Temperature 0 to +70°C

Part No.:RHTLY224K-S002LF

Turn Ratio(±3%): TX 1CT:1CT

RX 1CT:1CT

Insertion loss: 1-100MHz: -1.0dB max

Return loss: 1-30MHz: -18dB min

40MHz: -18dB min

50MHz: -16dB min

60-80MHz: -12dB min

100MHz: -10dB min

DCMR: 30MHz: -43dB min

60MHz: -37dB min

100MHz: -33dB min

Crosstalk: 30MHz: -45dB min

60MHz: -40dB min

100MHz: -35dB min

Hi-Pot: 1500 Vrms Min.


Features:

- 1.Designed for long haul gigabit ether net (10/100/1000Base-T) full duplex applications
- 2.Supports 4 pairs of CAT5 UTP cable
- 3.Cable interface for isolation and low common mode emissions
- 4.Compliant with IEEE 802.3ab standard for 1000 Base-T
- 5.RoHS Compliant

RHTLY224K-S002LF-T Packing: Tube

RHTLY224K-S002LF-R Packing: Tape&Reel

 NINGBO RHT ELECTRONIC CO.,LTD

UNITS:mm		SHEET SIZE: A4		SCALE:---	
0~3	3~18	18~50	50~120	DRWN BY PAN	1000 Base-T Magnetics Modules
±0.12	±0.15	±0.3	±0.5	CHK'D BY FENG	THIRD ANGLE PROJECTION
				APPR BY ZHAN	 RHTLY224K-S002LF



RHTLY224K-S002LF