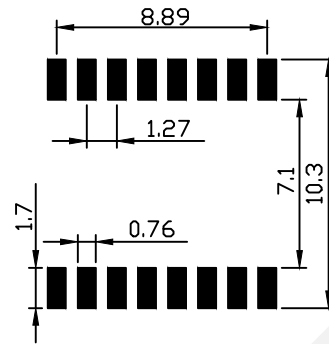
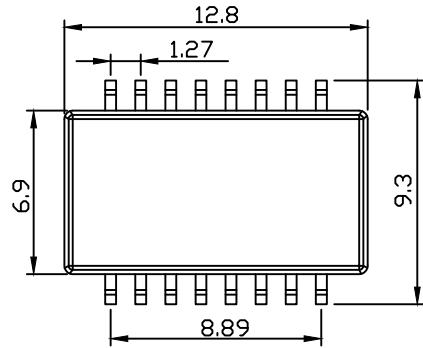
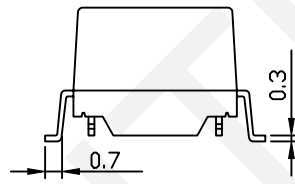
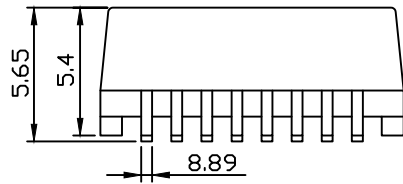


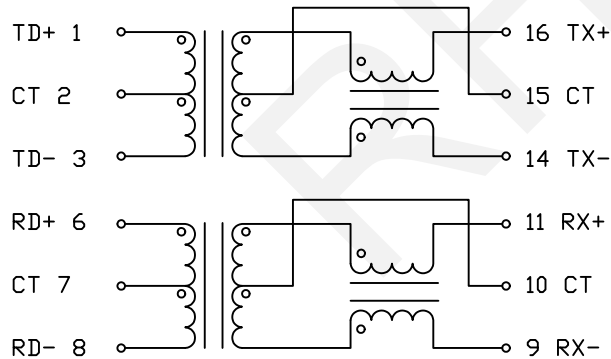
Dimension: unit:mm



PCB LAYOUT



Schematic



Electrical Specification:

@25°C Operating Temperature 0 to +70°C

Part No.:RHTLY216M-S005LF

Turn Ratio(±3%): TX 1CT:1CT

RX 1CT:1CT

□CL,primary@ 100KHz,0.1Vrms,8mA: 350uH Min

Leakage primary@10KHz,0.1Vrms, 0.5uH Max

C_{ww} (Pri:Sec.):28pF Max

Insertion loss: 1-100MHz: -11.5dB max

Return loss: 1-30MHz: -18dB min

60MHz: -14dB min

80MHz: -12dB min

DCMR: 30MHz: -35dB min

60MHz: -40dB min

100MHz: -35dB min

Crosstalk: 1-60MHz: -45dB min

60-100MHz: -35dB min

Isolation Voltage: 1500 Vrms Min.

Features:

1.IEEE 802.3af/ANSI X3.263 compliant performance.

2.Operating Humidity: 90%RH

3.Storage temperature range: -40~+80°C, 90%RH

4.RoHS Compliant

RHTLY216M-S005LF-T Packing: Tube

RHTLY216M-S005LF-R Packing: Tape&Reel

NINGBO RHT ELECTRONIC CO.,LTD

UNITS:mm	SHEET SIZE: A4			SCALE:---
0~3	3~18	18~50	50~120	
±0.12	±0.15	±0.3	±0.5	

DRWN BY PAN

CHK'D BY FENG

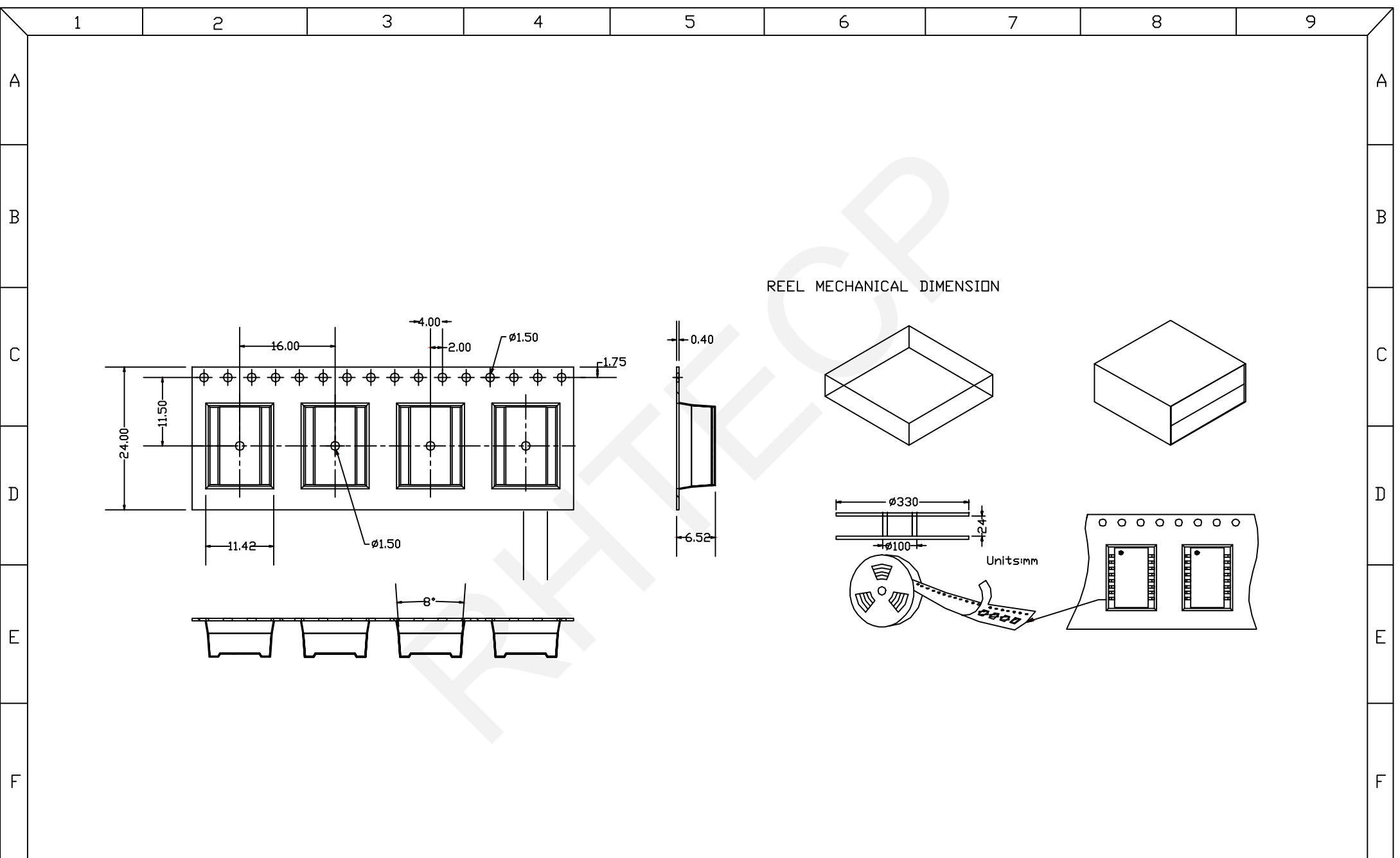
APPR BY ZHAN

10/100 Base-Tx Transformer Modules

THIRD ANGLE PROJECTION



RHTLY216M-S005LF



NINGBO RHT ELECTRONIC CO.,LTD

UNITS:mm	SHEET SIZE: A4			SCALE:---
0~3	3~18	18~50	50~120	
±0.12	±0.15	±0.3	±0.5	

DRWN BY PAN
CHK'D BY FENG
APPR BY ZHAN

10/100 Base-Tx Transformer Modules
THIRD ANGLE PROJECTION
RHTLY216M-S005LF

G
1
2
3
4
5
6
7
8
9

G
1
2
3
4
5
6
7
8
9