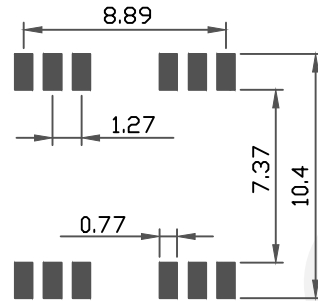
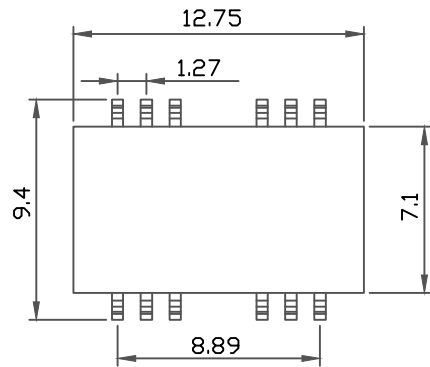
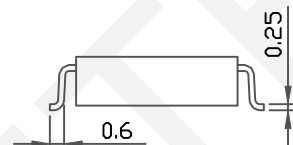
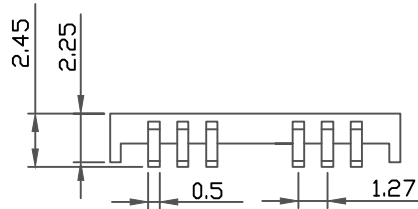


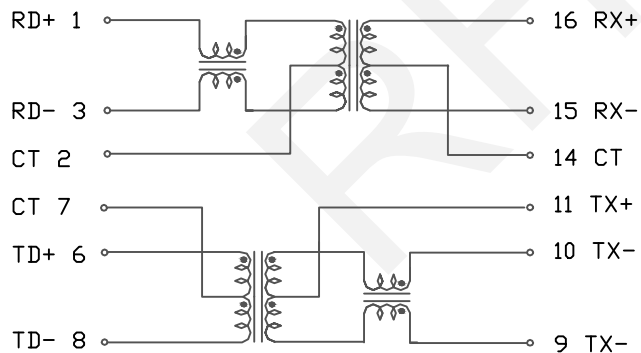
Dimension: unit:mm



PCB LAYOUT



Schematic



Electrical Specification:

@25°C Operating Temperature 0 to +70°C

Part No.:RHTLY212M-S004LF

Turn Ratio(±3%): TX 1CT:1CT

RX 1CT:1CT

□CL,primary@ 100KHz,0.1Vrms,8mA: 350uH Min

Leakage primary@10KHz,0.1Vrms, 0.5uH Max

C<sub>ww</sub> (Pri.:Sec.):35pF Max

DCR (Ω): Primary: 1.0 Max

Secondary: 1.2 Max

Insertion loss: 1-100MHz: -1.0dB max

Return loss: 1-30MHz: -18dB min

40MHz: -16dB min

50MHz: -16dB min

60-100MHz: -10dB min

DMRR: 1-60MHz: -35dB min

60-100MHz: -30dB min

Crosstalk: 1-100MHz: -33dB min

Isolation Voltage: 1500 Vrms Min.

Features:

1.IEEE 802.3af/ANSI X3.263 compliant performance.

2.Operating Humidity: 90%RH

3.Storage temperature range: -40~+80°C, 90%RH

4.RoHS Compliant

RHTLY212M-S004LF-T Packing: Tube

RHTLY212M-S004LF-R Packing: Tape&Reel

 NINGBO RHT ELECTRONIC CO.,LTD

UNITS:mm	SHEET SIZE: A4			SCALE:---
0~3	3~18	18~50	50~120	
±0.12	±0.15	±0.3	±0.5	

DRWN BY PAN

CHK'D BY FENG

APPR BY ZHAN

10/100 Base-Tx Transformer Modules

THIRD ANGLE PROJECTION



RHTLY212M-S004LF