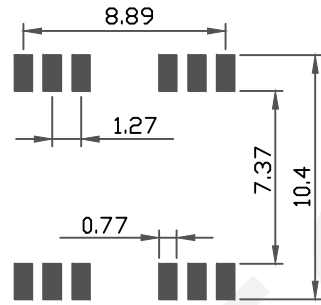
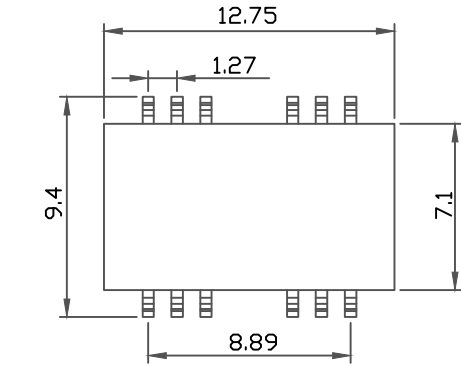
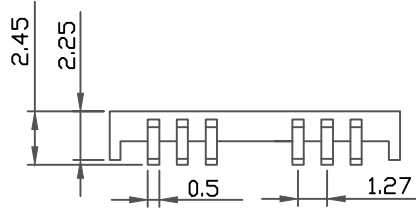


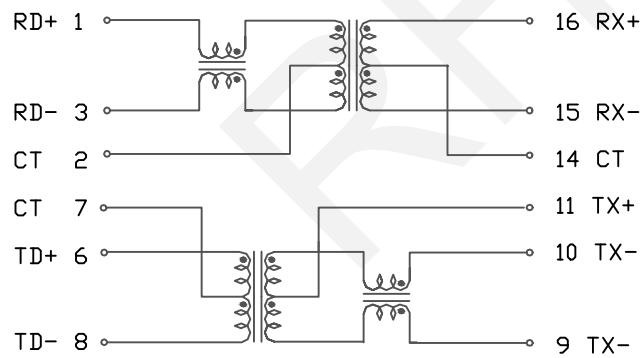
Dimension: unit:mm



PCB LAYOUT



Schematic



Electrical Specification:

@25°C Operating Temperature 0 to +70°C
 Part No.:RHTLY212M-S003LF
 Turn Ratio(±3%): TX 1CT:1CT
 RX 1CT:1CT
 □CL,primary@ 100KHz,0.1Vrms,8mA: 350uH Min
 Leakage primary@10KHz,0.1Vrms, 0.5uH Max
 Cww (Pri.:Sec.):35pF Max
 DCR (Ω): Primary: 1.0 Max

Secondary: 1.2 Max

Insertion loss: 1-100MHz: -1.0dB max
 Return loss: 1-30MHz: -18dB min
 40MHz: -16dB min
 50MHz: -16dB min
 60-100MHz: -10dB min
 DMRR: 1-60MHz: -35dB min
 60-100MHz: -30dB min

Crosstalk: 1-100MHz: -33dB min
 Isolation Voltage: 1500 Vrms Min.

Features:

- 1.IEEE 802.3af/ANSI X3.263 compliant performance.
- 2.Operating Humidity: 90%RH
- 3.Storage temperature range: -40~+80°C, 90%RH
- 4.RoHS Compliant

RHTLY212M-S003LF-T Packing: Tube

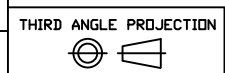
RHTLY212M-S003LF-R Packing: Tape&Reel

NINGBO RHT ELECTRONIC CO.,LTD

UNITS:mm	SHEET SIZE: A4			SCALE:---
0~3	3~18	18~50	50~120	
±0.12	±0.15	±0.3	±0.5	

DRWN BY PAN
 CHK'D BY FENG
 APPR BY ZHAN

10/100 Base-Tx Transformer Modules



RHTLY212M-S003LF