

SPECIFICATION

Rated Load:DC 30V2A

Contact resistance:30mΩ, max

Insulation resistance:100MΩ, min

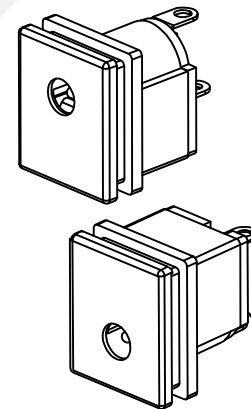
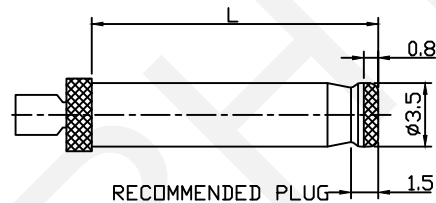
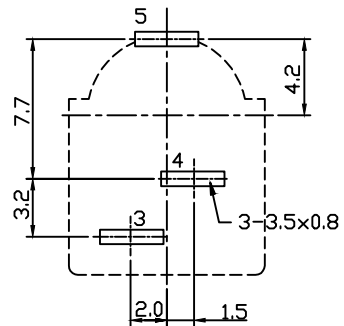
Withstand Voltage:AC500V

Actuating Force:3-20N

Life:5000 cycles

Operating Temperature:-30℃-70℃

PCB Layout Top View



No.	Description	QTY	Material	Plating
1	Housing	1	PBT	---
2	Cover	1	PF	---
3	Spring	1	SUS301	Sn-Plating
4	Flat Piece	1	Brass	Sn-Plating
5	Contact Foot	1	Brass	Sn-Plating
6	PIN	1	Brass	Ni-Plating

UNITS:mm	SHEET SIZE: A4			SCALE:---
0~3	3~18	18~50	50~120	
±0.12	±0.15	±0.3	±0.5	

DRWN BY PAN
CHK'D BY FENG
APPR BY ZHAN

30V 2A DC Jack DIP
THIRD ANGLE PROJECTION
RHTAYDC-015