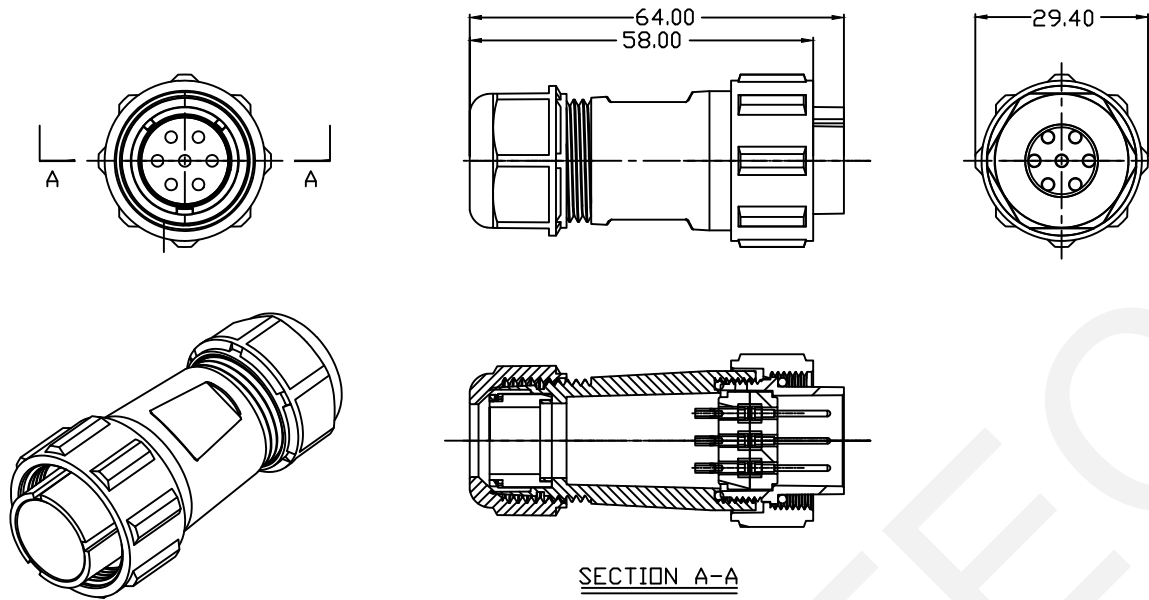


RoHs Compliance



Material&SPEC.

- 1.Shell Material:PPD,PA66 UL94V-0
- 2.Insulation Materials:PPS, High Temperature 260
- 3.Contact:Brass,Gold-plated
- 4.Insulation Resistance:2000MΩ
- 5.Number Of Poles:2~12 Poles
- 6.Coupling:Threaded
- 7.Termination:Solder
- 8.Cable Outer Diameter:7~12mm
- 9.IP Rating:IP68
- 10.Durability:500 Mating Cycles
- 11.Temperature Range:-25 ~+80

ORDER INFORMATION

RHTDY21 A1-XX

IP68 Connector Type
 Male Plug for Cable
 Number Of Poles: 2~12 Poles

Solder Contact Arrangement And Spec

Number Of Contact	2	3	4	5A	5B	5C	7	9	12
Male Contact Face View									
Rated Current (A)	30A	30A	30A	30A	30A/5A	15A	15A	5A	5A
Contact Diameter	Ø2.8x2	Ø2.8x3	Ø2.8x4	Ø2.8x5	Ø2.8x2 Ø1.0x3	Ø1.8x5	Ø1.8x7	Ø1.0x9	Ø1.0x12
Rated Voltage (AC.V)	500V	500V	500V	500V	500V	500V	500V	500V	400V
Testvoltage (AC.V)mm	1500V	1500V	1500V	1500V	1500V	1500V	1500V	1500V	1200V
Contact Resistance mΩ	1	1	1	1	5.1	2.5	2.5	5	5
Wire Size Soldermm ² /AWG	≤4.17/11	≤4.17/11	≤4.17/11	≤4.17/11	≤4.17/11 ≤0.785/18	≤2/14	≤2/14	≤0.785/18	≤0.785/18

Match Connector	
RHTDY21A2	
RHTDY21A3	
RHTDY21A4	

NINGBO RHT ELECTRONIC CO.,LTD

UNITS:mm SHEET SIZE: A4 SCALE:---
 0~3 3~18 18~50 50~120
 ±0.12 ±0.15 ±0.3 ±0.5

DRWN BY PAN
 CHK'D BY FENG
 APPR BY ZHAN

IP68 W21 CONN, Male Plug For Cable, Solder
 THIRD ANGLE PROJECTION

 RHTDY21A1-XX