

Order Information

RHTAY416S-L1-01-R

USB Type:

Length:

Length:

L1=0.96(H1=0.90)

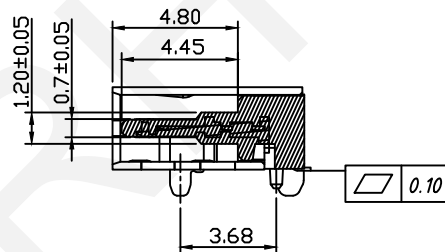
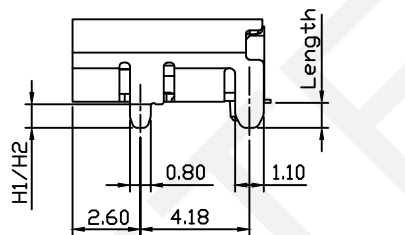
L2=2.3(HZ=2.0)

Plating Code:

01=AU 1u' 03=AU 3u'

15=AU 15' 30=AU 30'

Packing: R=Reel



SECTION:A-A

NOTES

1.Material:

1-1Housing:High Temperature Resistant Plastic,UL94V-0

1-2Contacts:Copper Alloy

1-3Mid Plate Stainless Steel

1-4 Front Shell:Stainless Steel

2.Plating Specification:

2-1Contacts:NI 50u' Min.Under Plated Over All

Au Plated On The Functional Area Of Contact;

Au Plated On The Solder Area

2-2.Front Shell:NI 30u'Min Under Plated Over All

2-3.Mid Plate:Clear Only

3. Mechanical.

3-1Insertion Force:0.5~2.0kgf

3-2.Removal Force:0.8kgf~2.0kgf

3-3 Durability:10000 Cycles

4 Electrical:

4-1.Current Rating:5.0A, Voltage Rating 5.0V

4-2.LLCR:Vbus & GND Pins And Other Pins:40mΩ/Pin Max

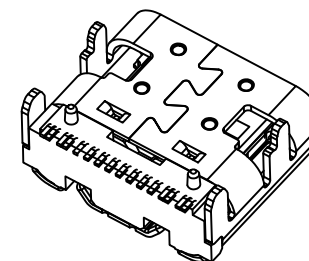
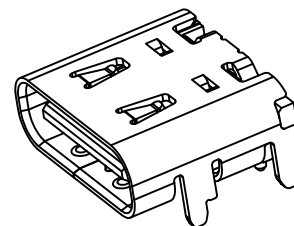
LLCR Max,Change Of All Pins:10mΩ

4-3Insulation Resistance:100MΩ Min

4-4 Dielectric Withstand Voltage:AC 100V For 1 Minute

5.Operating Temperature:-25°C +85°C

6.IR Reflow: The Peak Temperature On The Board Shall Be Maintained For 10 Seconds Af 260°C



RHTECP NINGBO RHT ELECTRONIC CO.,LTD

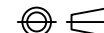
UNITS:mm	SHEET SIZE: A4	SCALE:---	DRWN BY PAN
0~3	3~18	18~50	50~120
±0.12	±0.15	±0.3	±0.5

CHK'D BY FENG

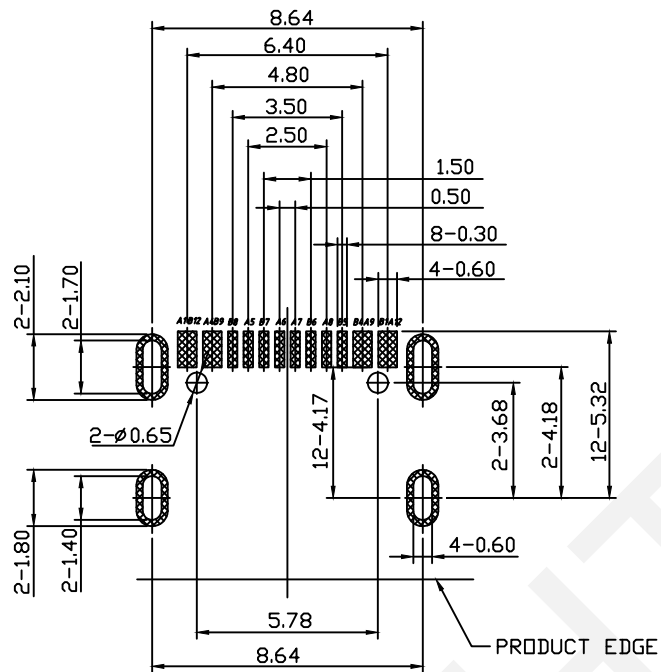
APPR BY ZHAN

USB Connector

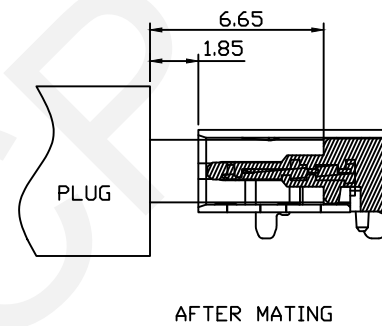
THIRD ANGLE PROJECTION



RHTAY416S-LX-XX-R



Recommended PCB Layout
Tolerance:±0.05mm,T=0.80



USB TYPE-C Pin Assignments

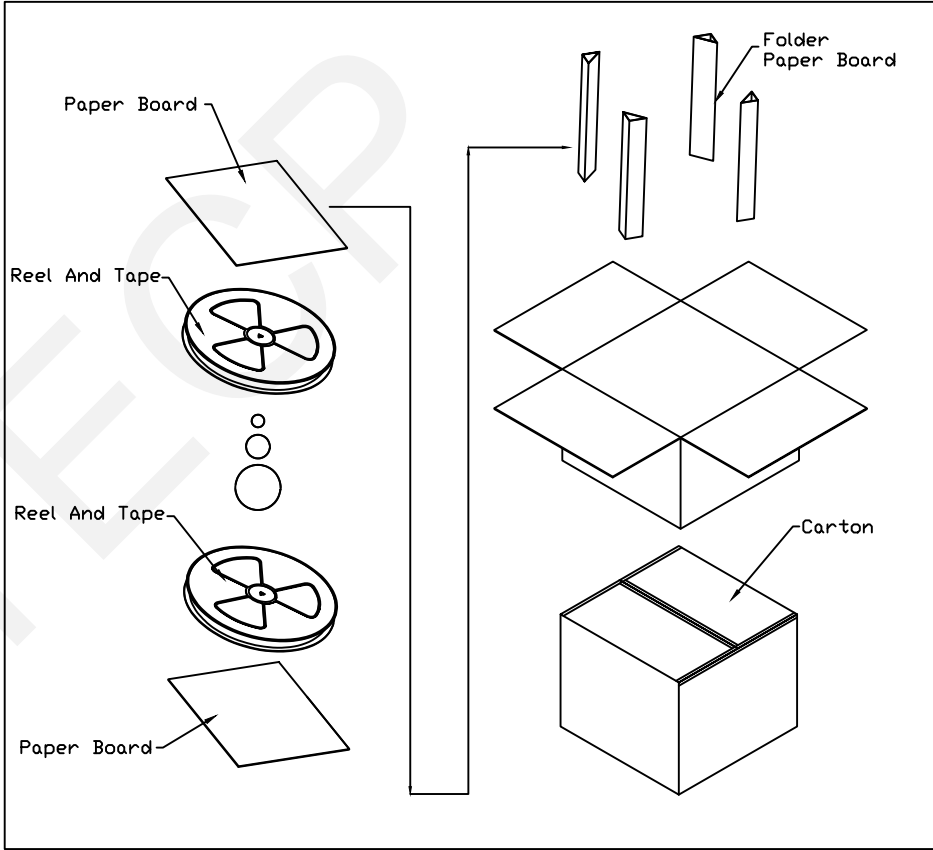
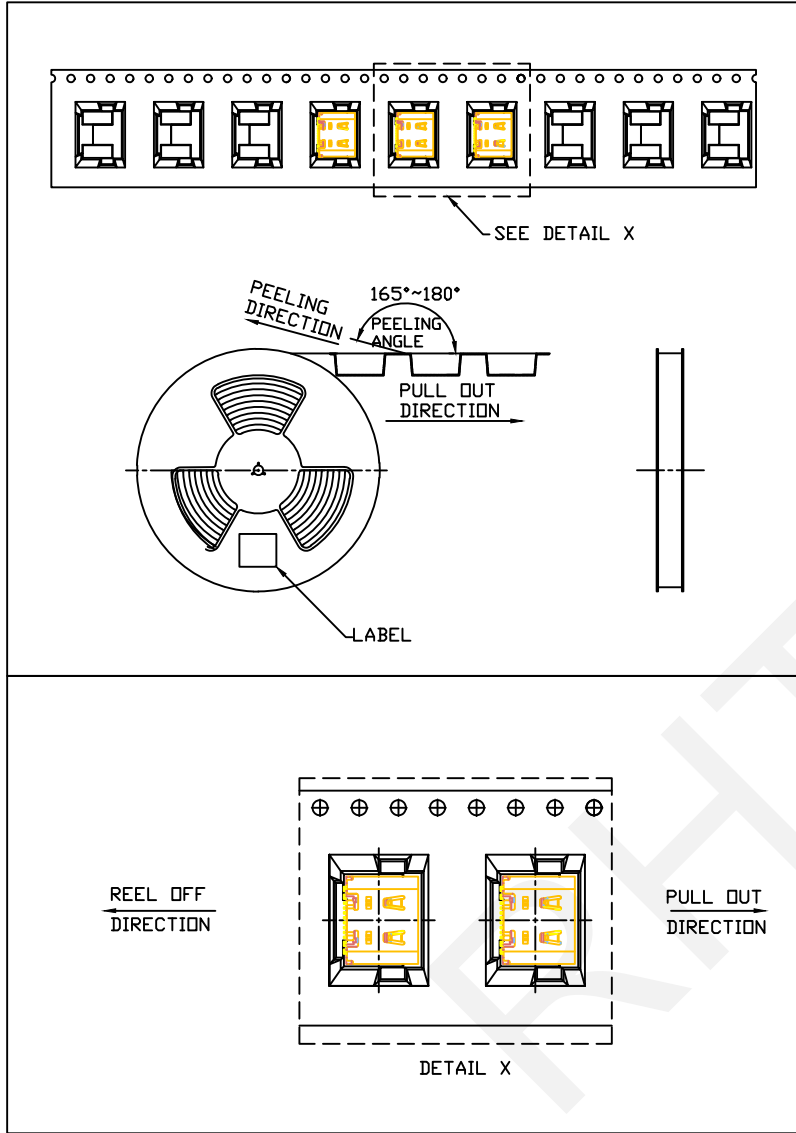
PIN	Signal Name	PIN	Signal Name
A1	GND	B12	GND
A4	VBUS	B9	VBUS
A5	CC1	B8	SBU2
A6	DP1	B7	DN2
A7	DN1	B6	DP2
A8	SBU1	B5	CC2
A9	VBUS	B4	VBUS
A12	GND	B1	GND

RHTECP NINGBO RHT ELECTRONIC CO.,LTD

UNITS:mm	SHEET SIZE: A4			SCALE:---	DRWN BY PAN
0~3	3~18	18~50	50~120	CHK'D BY FENG	THIRD ANGLE PROJECTION
±0.12	±0.15	±0.3	±0.5	APPR BY ZHAN	

USB Connector

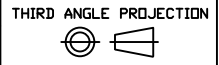
RHTAY416S-LX-XX-R



NINGBO RHT ELECTRONIC CO.,LTD

UNITS:mm	SHEET SIZE: A4	SCALE:----	DRWN BY PAN
0~3	3~18	18~50	50~120
±0.12	±0.15	±0.3	±0.5

CHK'D BY FENG
APPR BY ZHAN



USB Connector

RHTAY416S-LX-XX-R