

1 2 3 4 5 6 7 8 9

A

B

C

D

E

F

A

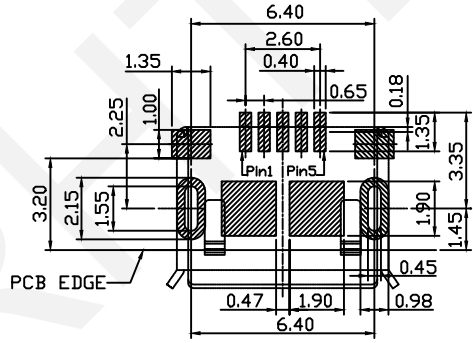
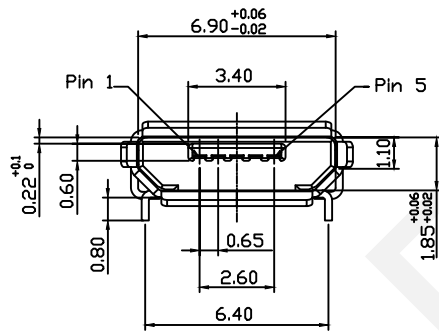
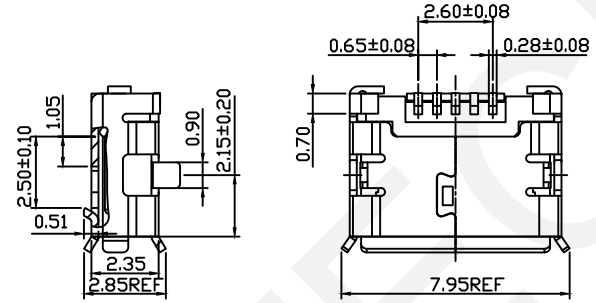
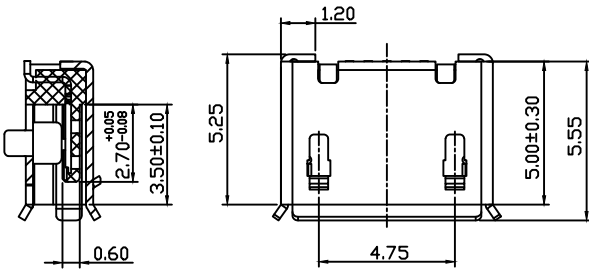
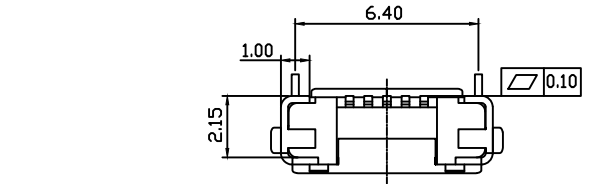
B

C

D

E

F



RECOMMENDED PCB LAYOUT

1.Material:

- 1.1 Housing:High Temperature Thermoplastic With g.f,UL 94V-0
- 1.2 Contact:Copper Alloy,t=0.20mm
- 1.3 Shell:SUS304,t=0.25mm

2.Specification:

- 2.1 Current Rating:1,5Pin 1.8A Max; 2,3,4Pin 1A Max
- 2.2 Dielectric Withstanding Voltage100 V(AC) for 1min.
- 2.3 Contact Resistance:30 mΩ Max.
- 2.4 Insulation Resistance: 100 MΩ Min
- 2.5 Total mating Force:3.57 Kg Max.
- 2.6 Total Unmating Force:1.0 Kg Min.
- 2.7 Temperature Range:-30°C~80°C

Order Information

RHTAY37-0-0-0-R

- Micro USB Female
- Post: 0-Without Post 1-With Post
- Terminal Plated: 0-Gold Plated 1-Tin Plated
- Malar: 0-Without Mylar 1-With Mylar
- Packing: T-Tube P-Tray R-Tape On Reel

NINGBO RHT ELECTRONIC CO.,LTD

UNITS:mm	SHEET SIZE: A4	SCALE:---	DRWN BY PAN
0~3	3~18	18~50	50~120
±0.12	±0.15	±0.3	±0.5

CHK'D BY FENG
APPR BY ZHAN

CONN RCPT 5POS MICRO USB SMD
THIRD ANGLE PROJECTION
 RHTAY37-0-0-0-R

1 2 3 4 5 6 7 8 9

G

G