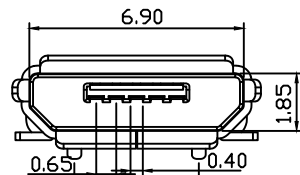
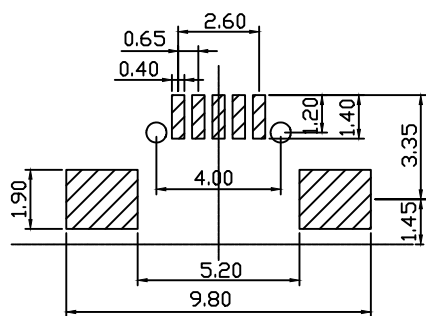


Without Post



With Post



RECOMMENDED PCB LAYOUT

Order Information

RHTAY33-0-0-0-R

Micro USB Female

Post: 0-Without Post

1-With Post

Terminal Plated:

0-Gold Plated

1-Tin Plated

Mylar: 0-Without Mylar

1-With Mylar

Packing:

T-Tube P-Tray R-Tray On Reel

Material

Housing:High Temperature Thermoplastic,
UL94V-0 LCP,Black

Contact:Copper Alloy C2680

Shell:Copper Alloy C2680

Finish:

Contact:Plated Gold In Mating Area;Tin On Solder Tails

Shell:Nickel Plating

Electrical:

Current Rating:1.0A/Contact Terminal.

Voltage Rating:30V DC

Contact Resistance:50mΩ Max.

Dielectric Withstanding Voltage:300 V AC AT Sea Level.

Insulation Resistance: 100MΩ Min.

Connector Mate And Unmated Force

Mate Force:3.0kgf Max.

Unmated Force:0.7kgf Min.

Terminal Retention:0.5kgf Min

RHTECP NINGBO RHT ELECTRONIC CO.,LTD

UNITS:mm

SHEET SIZE: A4

SCALE:---

DRWN BY PAN

CONN RCPT 5POS MICRO USB SMD

0~3

3~18

18~50

50~120

CHK'D BY FENG

THIRD ANGLE PROJECTION

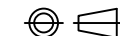
±0.12

±0.15

±0.3

±0.5

APPR BY ZHAN



RHTAY33-X-X-X-X