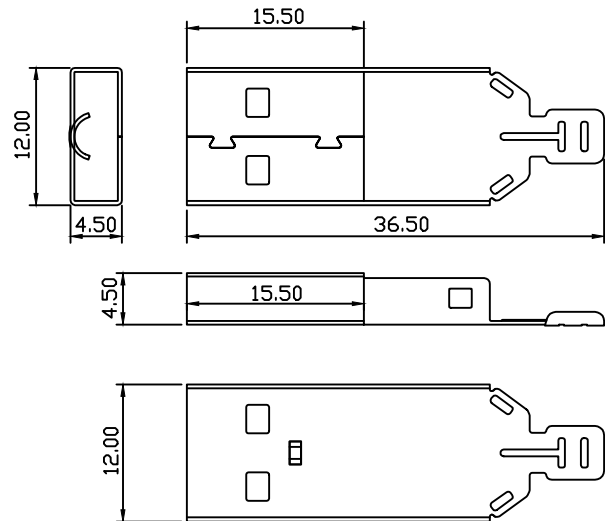
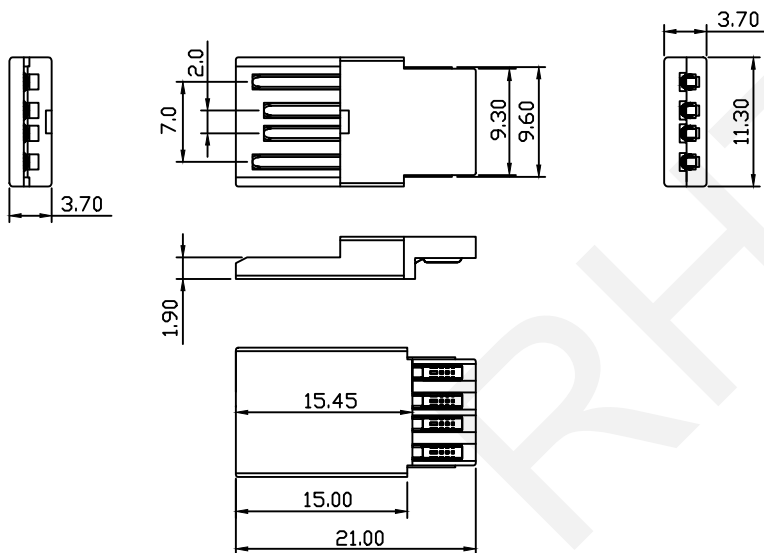
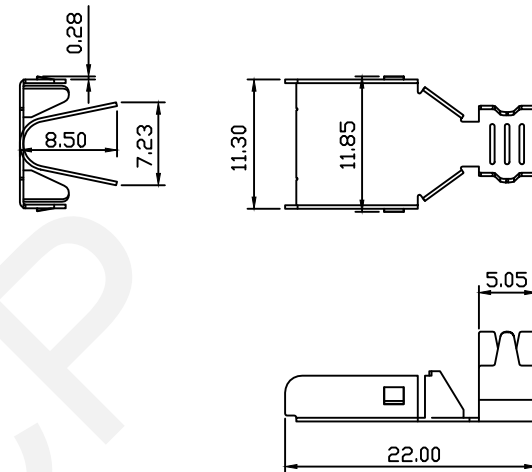


FRONT SHELL



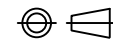
BACK SHELL

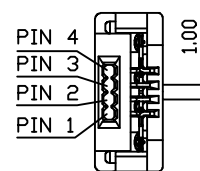
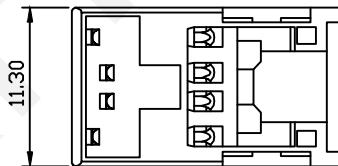
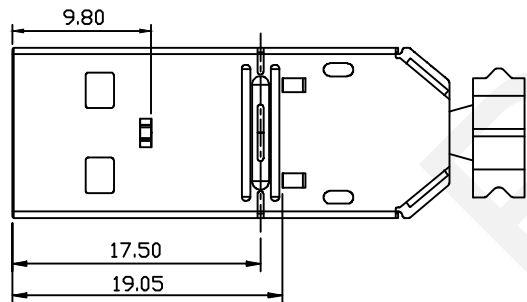
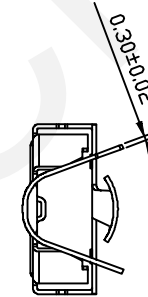
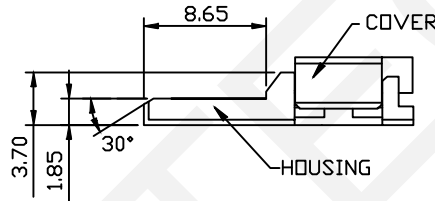
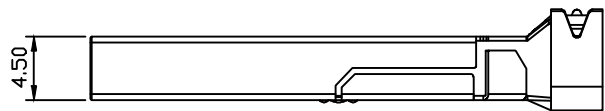
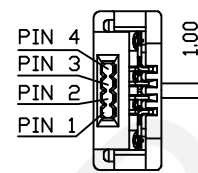
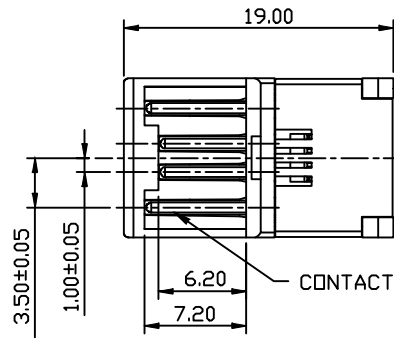
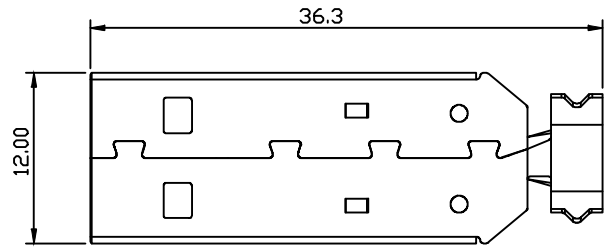


Material:
 Insulation:PBT,UL94V-0.
 Contact:Brass (T=0.18mm)
 Shell:SPCC(T=0.30mm)
 Electrical:
 Contact Current Rating: 1.8Amperes For Contacts1&5,
 0.5A For Contacts 2 3&4.
 Dielectric Withstanding Voltage: AC 100V r.m.s.
 Insulation Resistance: 100mΩ Min,
 Contact Resistance:30mΩ Max.
 Connector Insertion Force:35N Max
 Connector Separation Force:8N Min.
 Operating Temperature:-55°C TO +85°C
 Order Information
RHTAY82-B
 USB 2.0 A Male
 Color: B=Black W=WHITE

RHTECP NINGBO RHT ELECTRONIC CO.,LTD

UNITS:mm	SHEET SIZE: A4				SCALE:---
0~3	3~18	18~50	50~120	DRWN BY PAN	CONN PLUG USB A-MALE SOLDER
±0.12	±0.15	±0.3	±0.5	CHK'D BY FENG	THIRD ANGLE PROJECTION
				APPR BY ZHAN	RHTAY82-X





Material
 Housing:PBT,Black/White.
 Terminal:Brass.Gold Plated
 Shell:SPCC.Nickel Plated

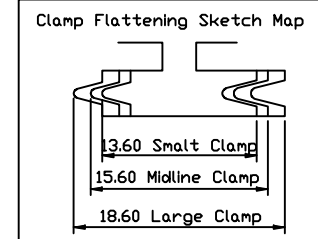
Electrical:
 Contact Current Rating:
 1.5Amperes For Contacts1&5
 0.5A For Contacts 2 3&4.
 Dielectric Withs tanding Voltage
 AC 100V r.m.s.
 Insulation Resistance: 100MΩ Min
 Contact Resistance:30mΩ Max.

Order Information

RHTAY849-B

USB 2.0 A Male

Color:W=White B=Black



RHTECP NINGBO RHT ELECTRONIC CO.,LTD

UNITS:mm	SHEET SIZE: A4		SCALE:---	
0~3	3~18	18~50	50~120	
±0.12	±0.15	±0.3	±0.5	

DRWN BY PAN

CHK'D BY FENG

APPR BY ZHAN

CONN PLUG USB A-MALE I DC

THIRD ANGLE PROJECTION



RHTAY849-X