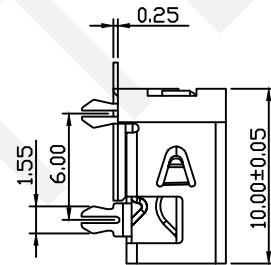
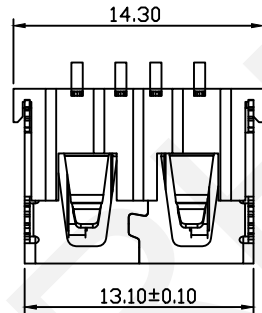
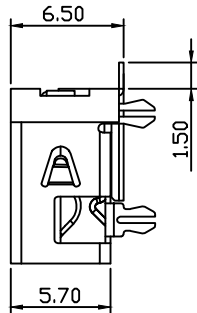
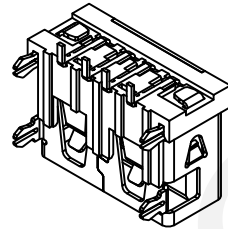
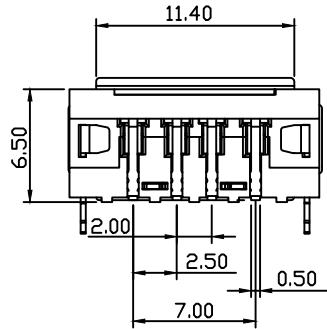


PCB HOLES<THE TOP VIEW>T=0.80mm
TOLERANCE:±0.05mm



Material
Housing:High Temperature Thermoplastic,
UL94V-0 LCP,Black/White.
Contact:Copper Alloy C2680
Shell:Copper Alloy C2680/SPCC

Finish:
Contact:Plated Gold In Mating Area;Tin On Solder Tails
Shell:Nickel Plating

Electrical:
Current Rating:1.5A/Contact Terminal.
Voltage Rating:30V DC
Contact Resistance:30mΩ Max.
Dielectric Withstanding Voltage:500 V AC AT Sea Level.
Insulation Resistance: 1000MΩ Min.
Connector Mate And Unmated Force
Mate Force:3.75kgf Max.
Unmated Force:1.02kgf Min.
Terminal Retention:1.2kgf Min

Order Information

RHTAY182-B-R

USB 2.0 A Male

Color:W=White B-Black

Packing: P=Tray

R=Tape On REEL

NINGBO RHT ELECTRONIC CO.,LTD

UNITS:mm	SHEET SIZE: A4			SCALE:---	DRWN BY PAN
0~3	3~18	18~50	50~120	CHK'D BY FENG	
±0.12	±0.15	±0.3	±0.5	APPR BY ZHAN	

CONN COM TYPE A USB Female SMD ,L10.0

THIRD ANGLE PROJECTION



RHTAY182-X-X