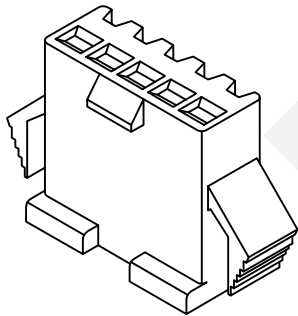
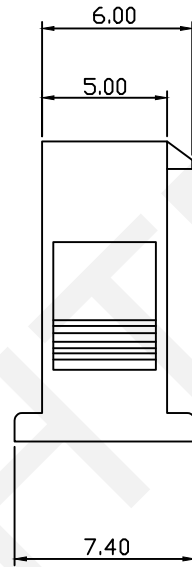
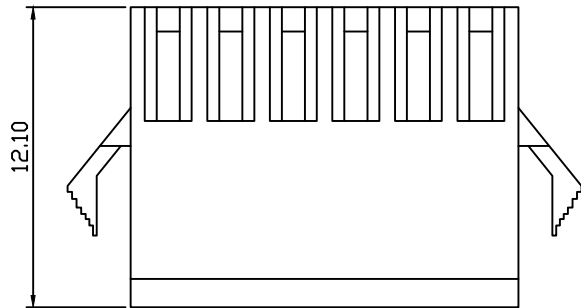
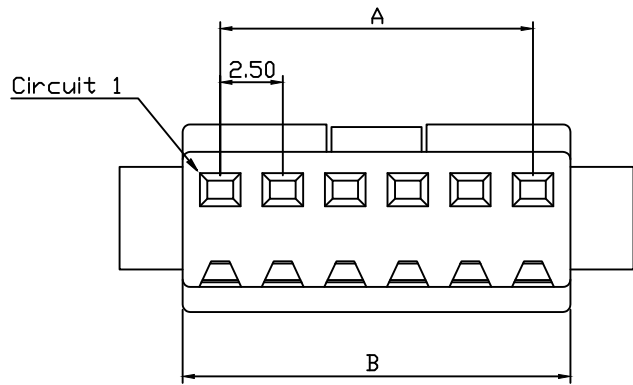


RoHS Compliance

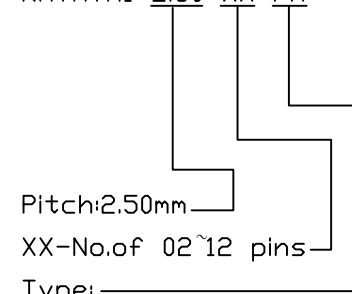


Material:
Housing: PA66 UL94V-2

Electrical Characteristics:
Rated Current: 3.0AMP
Voltage Rating: 250V AC,DC
Temperature Range: -25°C~+85°C
Insulator Resistance: 500MΩ/Min.
Withstanding Voltage: 1500V AC/Minute
Contact Resistance: 10MΩ/Max

Pin	Dimensions(mm)	
	A	B
02	2.50	5.50
03	5.00	8.00
04	7.50	10.50
05	10.00	13.00
06	12.50	15.50
07	15.00	18.00
08	17.50	20.50
09	20.00	23.00
10	22.50	25.50
11	25.00	28.00
12	27.50	30.50

Order Information:
RHTAYM1-2.50-XX-FH



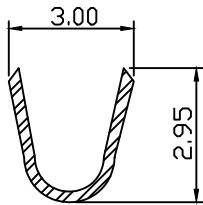
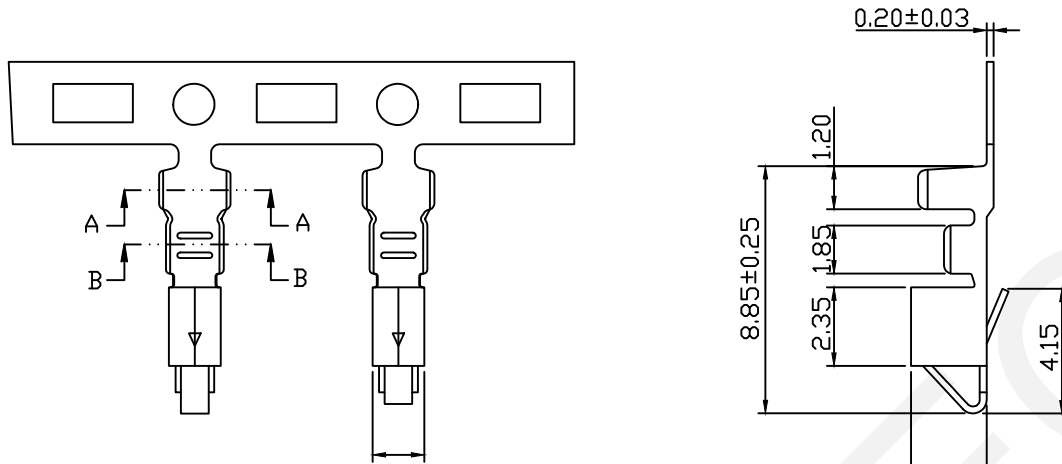
Pitch:2.50mm
XX-No.of 02~12 pins
Type:
MH-Male Hosing
FH-Female Hosing
MT-Male Terminal
FT-Female Terminal

RHTECP NINGBO RHT ELECTRONIC CO.,LTD

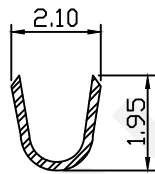
UNITS:mm	SHEET SIZE: A4	SCALE:---	DRWN BY PAN
0~3	3~18	18~50	50~120
±0.12	±0.15	±0.3	±0.5
CHK'D BY FENG		APPR BY ZHAN	

2.50mm Pitch SM Type
Wire To Wire Connector
THIRD ANGLE PROJECTION
 RHTAYM1-2.50-XX-FH

RoHS Compliance



A-A



B-B

Material:
 Terminal :Phospor Bronze
 Rating: Tin Plated
 Applicable Wires:AWG#22~#28
 Insulation O.D:1.7mm
 Qty/Reel:5000 pcs

Electrical Characteristics:
 Rated Current: 3.0AMP
 Voltage Rating: 250V AC,DC
 Temperature Range: -25°C~+85°C
 Insulator Resistance: 500MΩ/Min.
 Withstanding Voltage: 1500V AC/Minute
 Contact Resistance: 10MΩ/Max

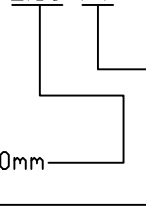
Order Information:

RHTAYM1-2.50-FT

Pitch:2.50mm

Type:

MH-Male Hosing FH-Female Hosing
 MT-Male Terminal FT-Female Terminal



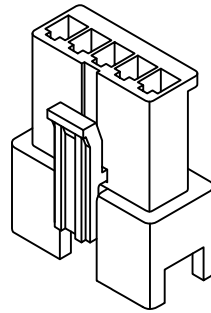
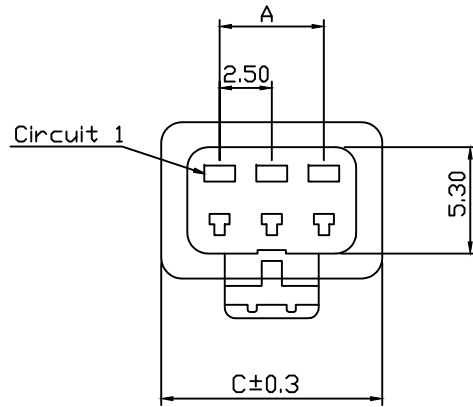
RHTECP NINGBO RHT ELECTRONIC CO.,LTD

UNITS:mm	SHEET SIZE: A4		SCALE:---	DRWN BY PAN
0~3	3~18	18~50	50~120	CHK'D BY FENG
±0.12	±0.15	±0.3	±0.5	APPR BY ZHAN

2.50mm Pitch SM Type
 Wire To Wire Connector
 THIRD ANGLE PROJECTION

 RHTAYM1-2.50-FT

RoHS Compliance

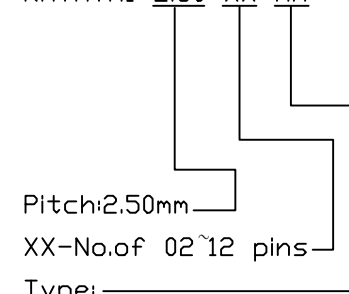


Material:
Housing: PA66 UL94V-2

Electrical Characteristics:
Rated Current: 3.0AMP
Voltage Rating: 250V AC,DC
Temperature Range: -25°C~+85°C
Insulator Resistance: 500MΩ/Min.
Withstanding Voltage: 1500V AC/Minute
Contact Resistance: 10MΩ/Max

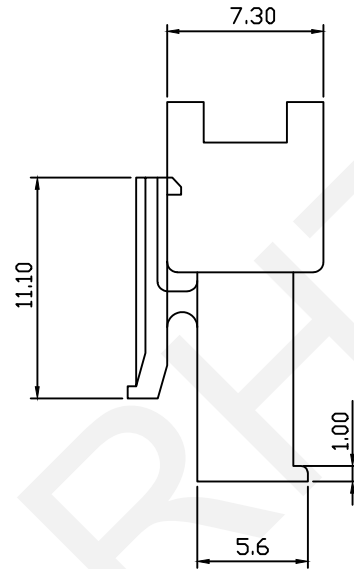
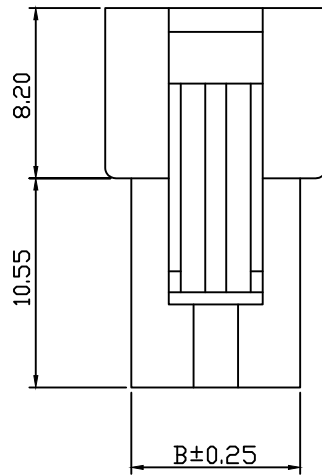
Pin	Dimensions(mm)		
	A	B	C
02	2.50	5.60	8.00
03	5.00	8.10	10.50
04	7.50	10.60	13.00
05	10.00	13.10	15.50
06	12.50	15.60	18.00
07	15.00	18.10	20.50
08	17.50	20.60	23.00
09	20.00	23.10	25.50
10	22.50	25.60	28.00
11	25.00	28.10	30.50
12	27.50	30.60	33.00

Order Information:
RHTAYM1-2.50-XX-MH



Pitch:2.50mm
XX-No.of 02~12 pins
Type:

MH-Male Hosing
FH-Female Hosing
MT-Male Terminal
FT-Female Terminal

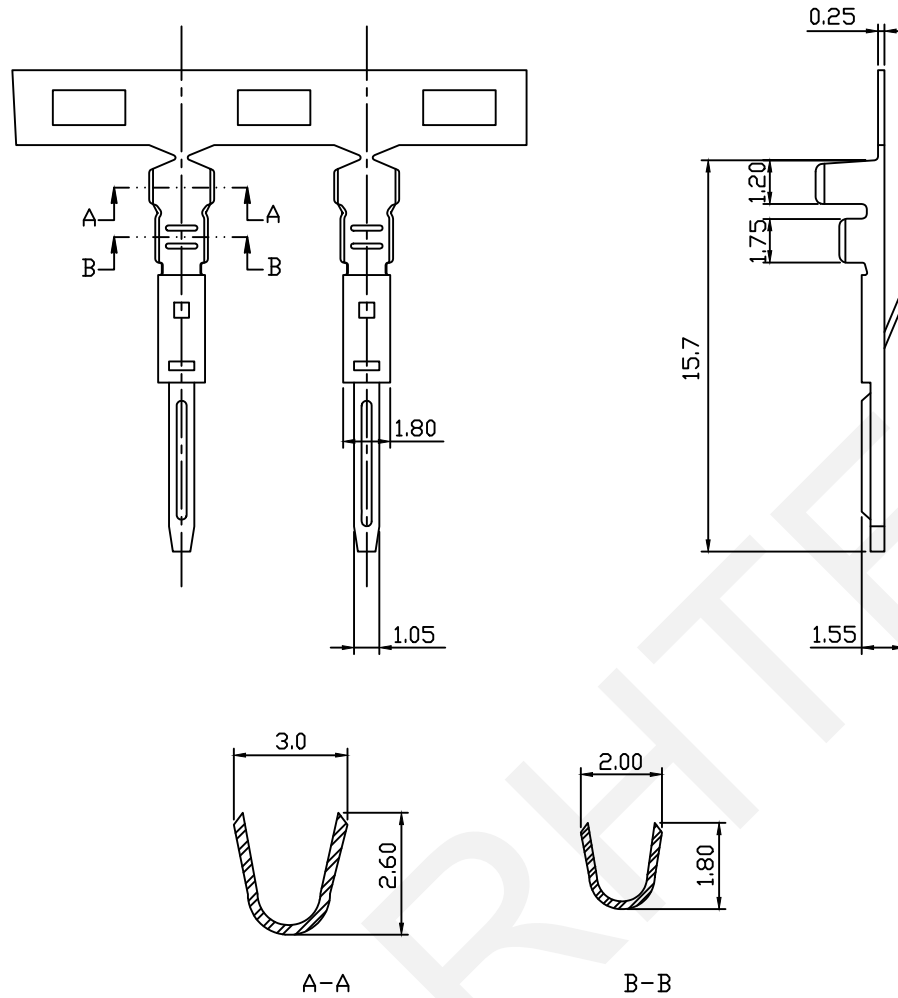


RHTECP NINGBO RHT ELECTRONIC CO.,LTD

UNITS:mm	SHEET SIZE: A4	SCALE:---	DRWN BY PAN
0~3	3~18	18~50	50~120
±0.12	±0.15	±0.3	±0.5
CHK'D BY FENG		APPR BY ZHAN	

2.50mm Pitch SM Type
Wire To Wire Connector
THIRD ANGLE PROJECTION
 RHTAYM1-2.50-XX-MH

RoHS Compliance



Material:
 Terminal :Phosphor Bronze
 Rating: Tin Plated
 Applicable Wires:AWG#22~#28
 Insulation O.D:1.7mm
 Qty/Reel:8000 pcs

Electrical Characteristics:
 Rated Current: 3.0AMP
 Voltage Rating: 250V AC,DC
 Temperature Range: -25°C~+85°C
 Insulator Resistance: 500MΩ/Min.
 Withstanding Voltage: 1500V AC/Minute
 Contact Resistance: 10MΩ/Max

Order Information:

RHTAYM1-2.50-MT

Pitch:2.50mm

Type:

MH-Male Hosing FH-Female Hosing
 MT-Male Terminal FT-Female Terminal

RHTECP NINGBO RHT ELECTRONIC CO.,LTD

UNITS:mm	SHEET SIZE: A4		SCALE:---	DRWN BY PAN
0~3	3~18	18~50	50~120	CHK'D BY FENG
±0.12	±0.15	±0.3	±0.5	APPR BY ZHAN

2.50mm Pitch SM Type
 Wire To Wire Connector

THIRD ANGLE PROJECTION

RHTAYM1-2.50-MT