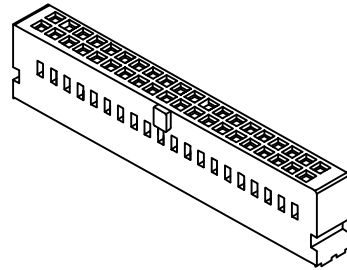


RoHS Compliance



| Pin | Dimension(mm) | |
|------|---------------|-------|
| | A | B |
| 2x02 | 2.54 | 9.48 |
| 2x03 | 5.08 | 12.02 |
| 2x04 | 7.62 | 14.56 |
| 2x05 | 10.16 | 17.10 |
| 2x06 | 12.70 | 19.64 |
| 2x07 | 15.24 | 22.18 |
| 2x08 | 17.78 | 24.72 |
| 2x09 | 20.32 | 27.26 |
| 2x10 | 22.86 | 29.80 |
| 2x11 | 25.40 | 32.34 |
| 2x12 | 27.94 | 34.88 |
| 2x13 | 30.48 | 37.42 |
| 2x14 | 32.02 | 39.96 |
| 2x15 | 35.56 | 42.50 |
| 2x16 | 38.10 | 45.04 |
| 2x17 | 40.64 | 47.58 |
| 2x18 | 43.18 | 50.12 |
| 2x19 | 45.72 | 52.66 |
| 2x20 | 48.26 | 55.20 |
| 2x21 | 50.80 | 57.74 |
| 2x22 | 53.34 | 60.28 |
| 2x23 | 55.88 | 62.32 |
| 2x24 | 58.42 | 65.36 |
| 2x25 | 60.96 | 67.90 |
| 2x26 | 63.50 | 70.44 |
| 2x27 | 66.04 | 72.98 |
| 2x28 | 68.58 | 75.52 |
| 2x29 | 71.12 | 78.06 |
| 2x30 | 73.66 | 80.60 |
| 2x31 | 76.20 | 83.14 |
| 2x32 | 78.74 | 85.68 |

Material:

Housing: PBT,UL94V-0

Electrical Characteristics:

Rated Current: 3.0AMP

Voltage Rating: 250V AC,DC

Temperature Range: -25°C~+85°C

Insulator Resistance: 1000MΩ/Min.

Withstanding Voltage: 1500V AC/Minute

Contact Resistance: 20MΩ/Max

Order Information:

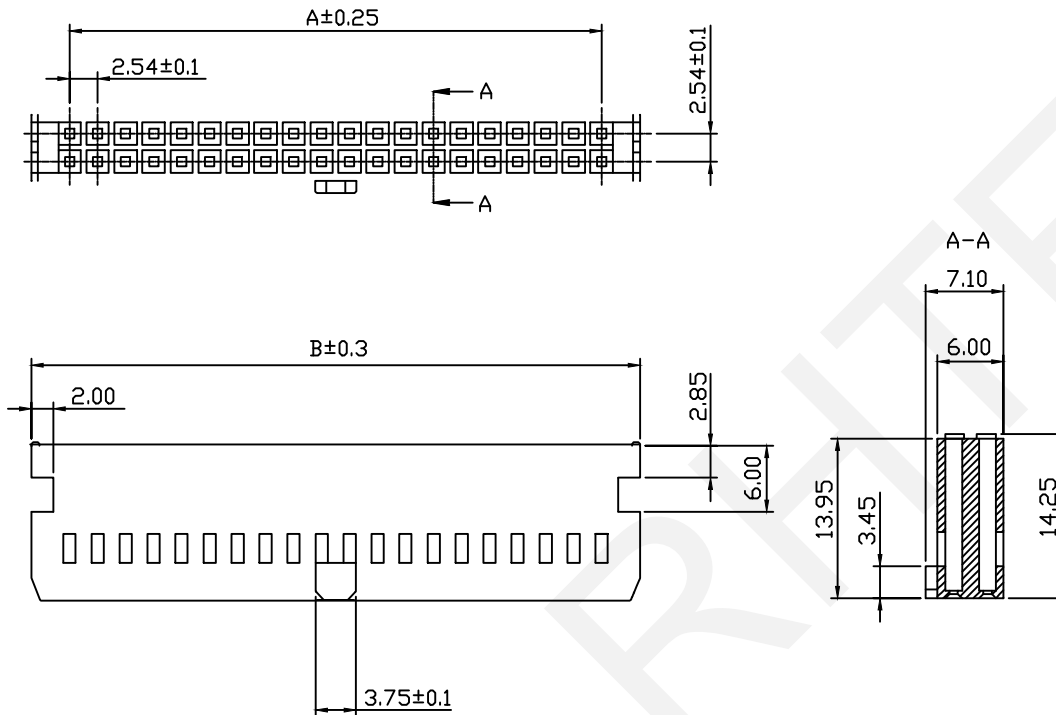
RHTAYL1-2.54-XX-H

Pitch:2.54mm

XX-No.of 02~32Pins

Type:

T-Terminal H-Hosing



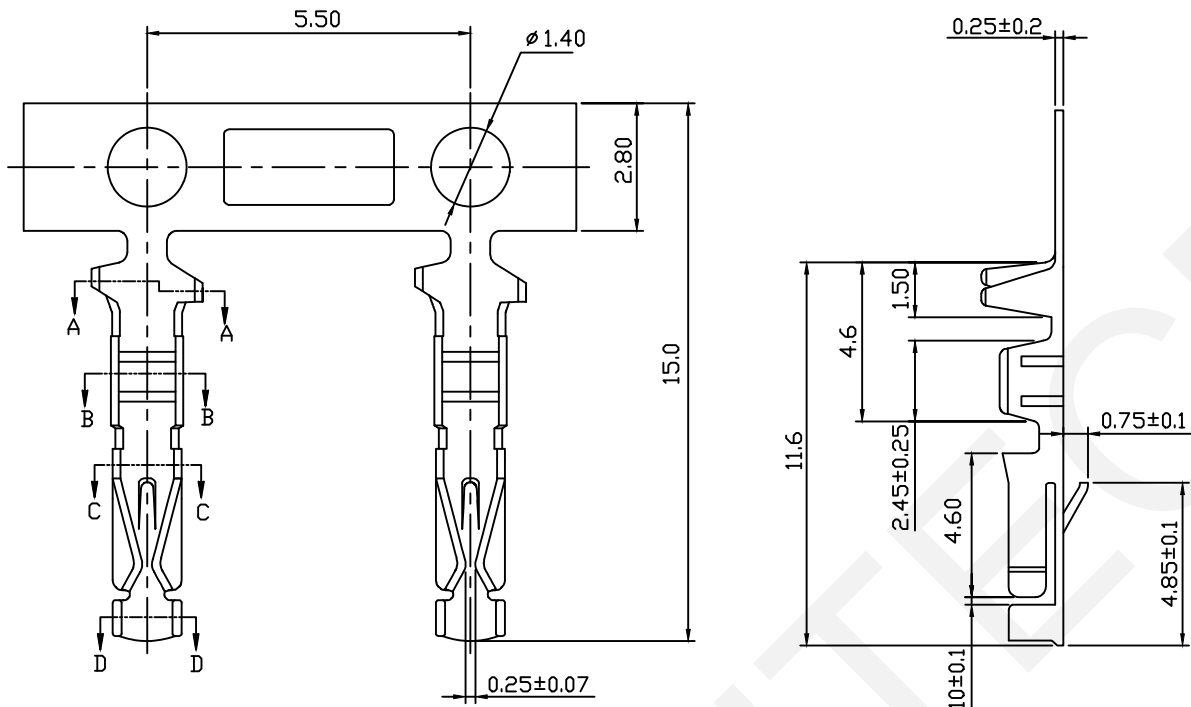
 NINGBO RHT ELECTRONIC CO.,LTD

| | | | |
|----------|----------------|-----------|-------------|
| UNITS:mm | SHEET SIZE: A4 | SCALE:--- | DRWN BY PAN |
| 0~3 | 3~18 | 18~50 | 50~120 |
| ±0.12 | ±0.15 | ±0.3 | ±0.5 |

CHK'D BY FENG
APPR BY ZHAN

2.54mm Pitch HRS2.54
Wire To Board Connectors
THIRD ANGLE PROJECTION
 RHTAYL1-2.54-XX-H

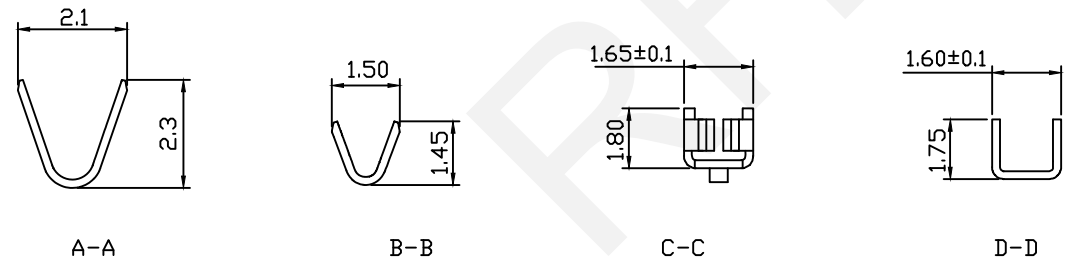
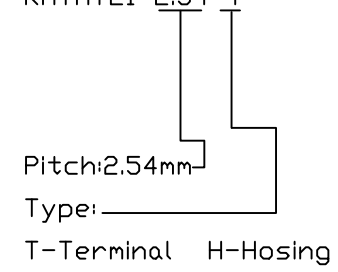
RoHS Compliance



Material:
 Terminal: Phosphor Bronze
 Plating: Tin plated Over Nickel
 Applicable Wires: AWG #22~#28
 Insulation O.D: 1.6mm
 Qty/Reel: 10000 PCS

Electrical Characteristics:
 Current Rating : 3.0A AC,DC
 Voltage Rating : 250V AC,DC
 Temperature Range: -25°C~+85°C
 Insulator Resistance: 1000MΩ/Min.
 Withstanding Voltage: 1500V AC/Minute
 Contact Resistance: 20MΩ/Max

Order Information:
 RHTAYL1-2.54-T



NINGBO RHT ELECTRONIC CO.,LTD

| | | | |
|----------|----------------|-----------|-------------|
| UNITS:mm | SHEET SIZE: A4 | SCALE:--- | DRWN BY PAN |
| 0~3 | 3~18 | 18~50 | 50~120 |
| ±0.12 | ±0.15 | ±0.3 | ±0.5 |

CHK'D BY FENG
 APPR BY ZHAN

2.54mm Pitch HRS2.54
 Wire To Board Connectors
 THIRD ANGLE PROJECTION
 RHTAYL1-2.54-T