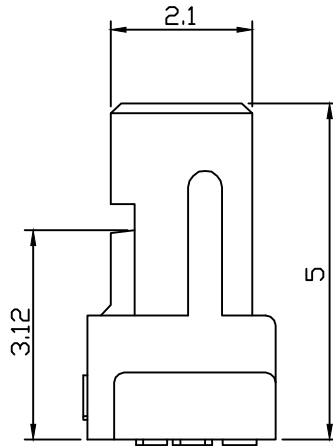
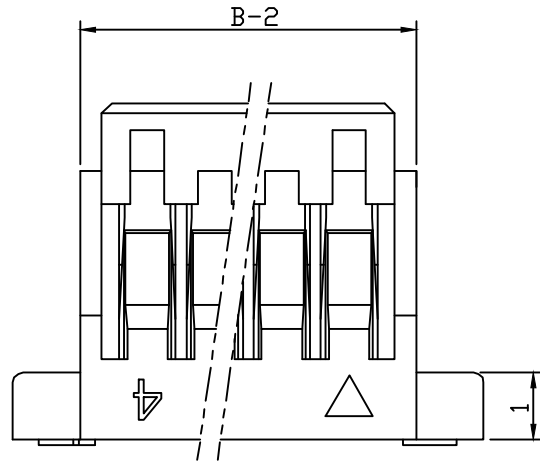


RoHS Compliance



Circuit	Dimension(mm)	
	A	B
02	1.0	5.0
03	2.0	6.0
04	3.0	7.0
05	4.0	8.0
06	5.0	9.0
07	6.0	10.0
08	7.0	11.0
09	8.0	12.0
10	9.0	13.0
11	10.0	14.0
12	11.0	15.0
13	12.0	16.0
14	13.0	17.0
--	----	----
30	29.0	33.0

Material:

Housing: PBT(UL94V-0/V-2),White

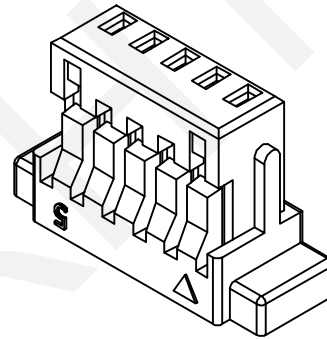
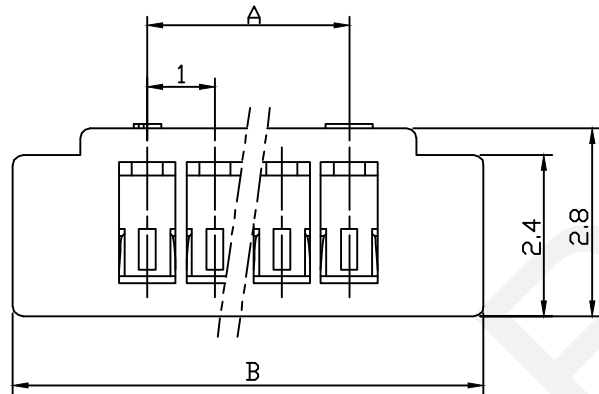
Electrical Characteristics:

- 1.Poles:2 To 30P
- 2.Current Rating: 1.0A
- 3.Voltage Rating: 50V
- 4.Temperature Range:-25℃ To+85℃
- 5.Contact Resistance: ≤20mΩ
- 6.Insulation Resistance: ≥100MΩ
- 7.Withstand Voltage: 500V AC/Minute
- 8.Applicable Wire: AWG #32 To #28

Order Information:

RHTAYF1-1.00-1-XX-H

Series No
 Pitch:1.00=1.00mm
 Pins:1-Single Layer
 PIN Number:02~30Pin
 Type:H=Housing With Ear



RHTECP NINGBO RHT ELECTRONIC CO.,LTD

UNITS:mm	SHEET SIZE: A4	SCALE:---	DRWN BY PAN
0~3	3~18	18~50	50~120
±0.12	±0.15	±0.3	±0.5

CHK'D BY FENG
 APPR BY ZHAN

1.00mm ZH Type Wire To Board Connector

THIRD ANGLE PROJECTION



RHTAYF1-1.00-1-XX-H

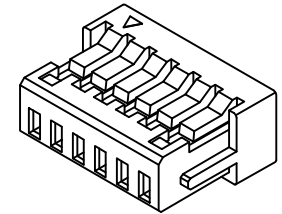
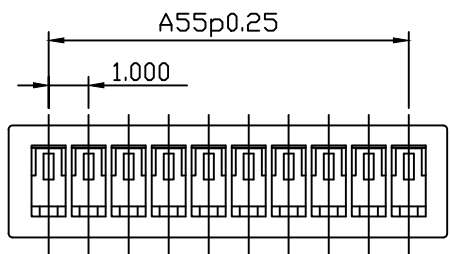
RoHS Compliance

Material:
Housing: PBT(UL94V-0/V-2),White

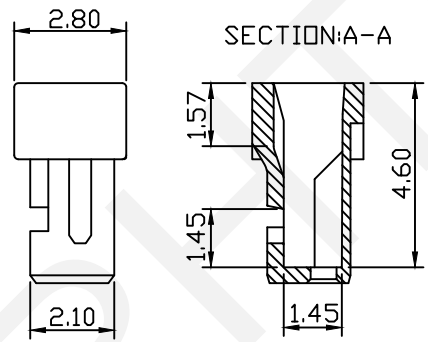
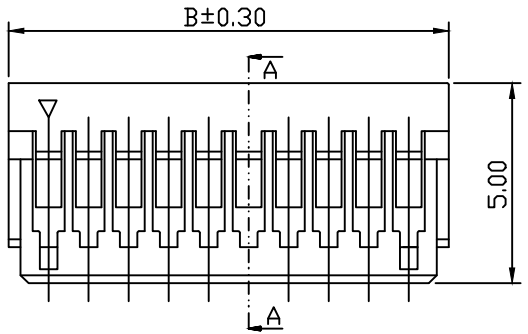
Electrical Characteristics:
1.Poles:2 To 30P
2.Current Rating: 1.0A
3.Voltage Rating: 50V
4.Temperature Range:-25℃ To+85℃
5.Contact Resistance: ≤20mΩ
6.Insulation Resistance: ≥100MΩ
7.Withstand Voltage: 500V AC/Minute
8.Applicable Wire: AWG #32 To #28

Order Information:
RHTAYF1-1.00-1-XX-H3

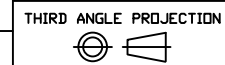
Series No
Pitch:1.00=1.00mm
Pins:1-Single Layer
PIN Number:02~20Pin
Type:H=Housing With Ear



Circuit	Dimension(mm)	
	A	B
02	1.0	3.0
03	2.0	4.0
04	3.0	5.0
05	4.0	6.0
06	5.0	7.0
07	6.0	8.0
08	7.0	9.0
09	8.0	10.0
10	9.0	11.0
11	10.0	12.0
12	11.0	13.0
13	12.0	14.0
14	13.0	15.0
--	----	----
20	29.0	21.0



UNITS:mm	SHEET SIZE: A4				SCALE:---	DRWN BY PAN
0~3	3~18	18~50	50~120	CHK'D BY FENG	1.00mm ZH Type Wire To Board Connector	
±0.12	±0.15	±0.3	±0.5	APPR BY ZHAN	THIRD ANGLE PROJECTION	RHTAYF1-1.00-1-XX-H3

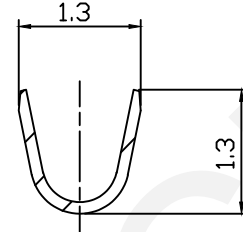
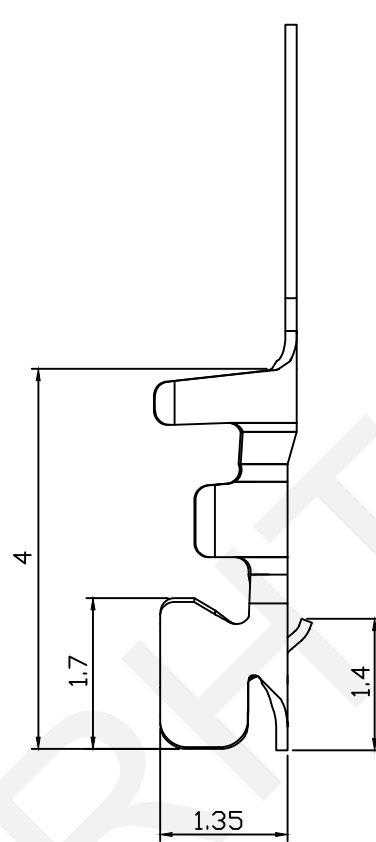
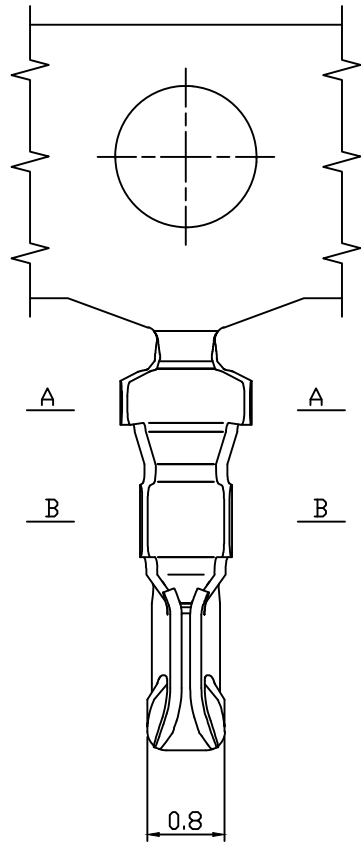


NINGBO RHT ELECTRONIC CO.,LTD

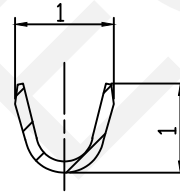
THIRD ANGLE PROJECTION

RHTAYF1-1.00-1-XX-H3

RoHS Compliance



A-A



B-B

Material:
Terminal: Phos Bronze
Tin Plating: 15000PCB/Roll

- Electrical Characteristics:
1. Poles: 2 To 30P
 2. Current Rating: 1.0A
 3. Voltage Rating: 50V
 4. Temperature Range: -25°C To +85°C
 5. Contact Resistance: $\leq 20m\Omega$
 6. Insulation Resistance: $\geq 100M\Omega$
 7. Withstand Voltage: 500V AC/Minute
 8. Applicable Wire: AWG #32 To #28

Order Information:

RHTAYF1-1.00-T

Series No

Pitch: 1.00=1.00mm

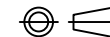
T=Terminal

RHTECP NINGBO RHT ELECTRONIC CO.,LTD

UNITS:mm	SHEET SIZE: A4	SCALE: ---	DRWN BY PAN
0~3	3~18	18~50	50~120
±0.12	±0.15	±0.3	±0.5
CHK'D BY FENG		APPR BY ZHAN	

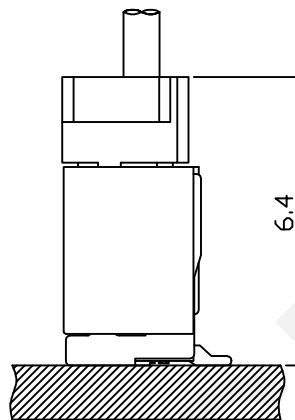
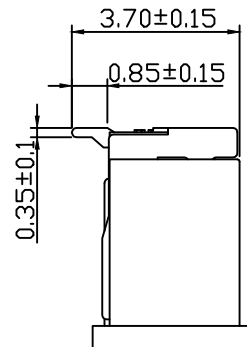
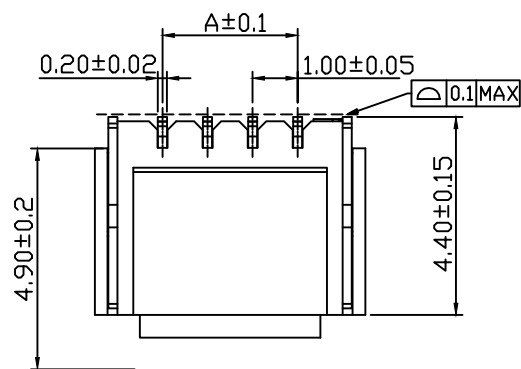
1.00mm ZH Type Wire To Board Connector

THIRD ANGLE PROJECTION



RHTAYF1-1.00-T

RoHS Compliance

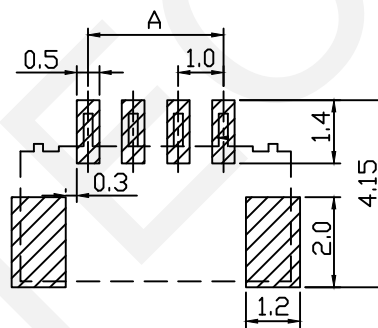
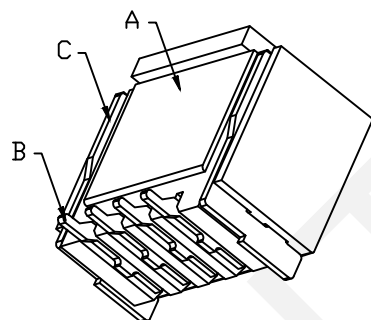
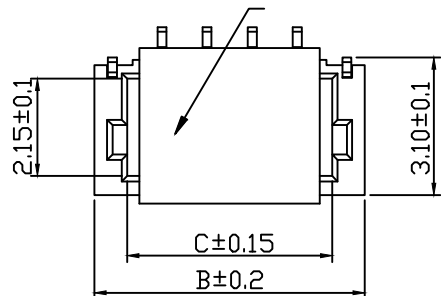


Assembly Layout

Material:
 Insulator:LCP UL94V-0,Beige
 Contacts:Phosphor Bronze, Tin Plated
 Solder Tab:Phosphor Bronze,Tin Plated

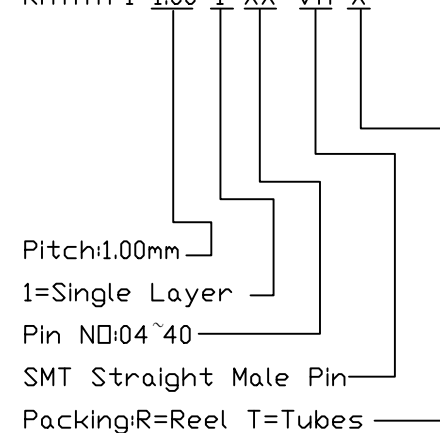
Electrical Specification:
 Contact Resistance:≤20mΩ Max
 Insulation Resistance:≥100MΩ Min
 Rated Voltage:50V AC DC
 Rated Current:0.5A AC DC
 Withstanding Voltage:500V AC/Minute
 Temperature Range:-25°C~+105°C

Suction Cup Installed
 In Product Center



SUGGESTED PCB LAYOUT

Order Information:
 RHTAYF1-1.00-1-XX-VM-X



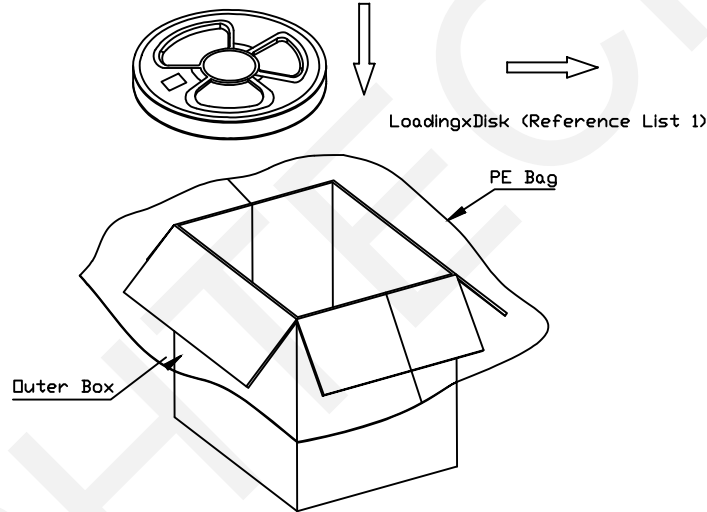
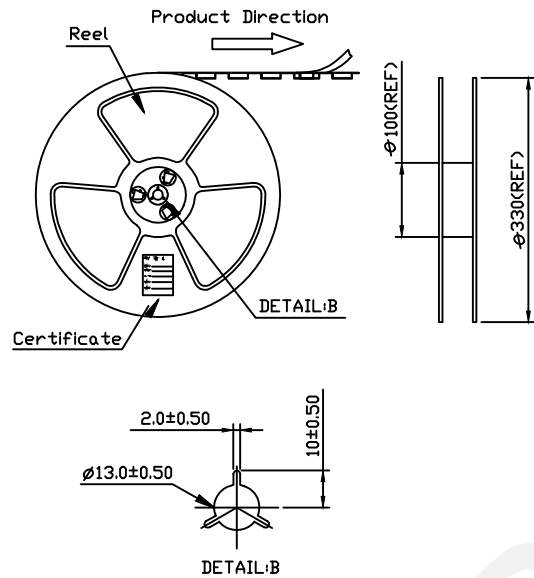
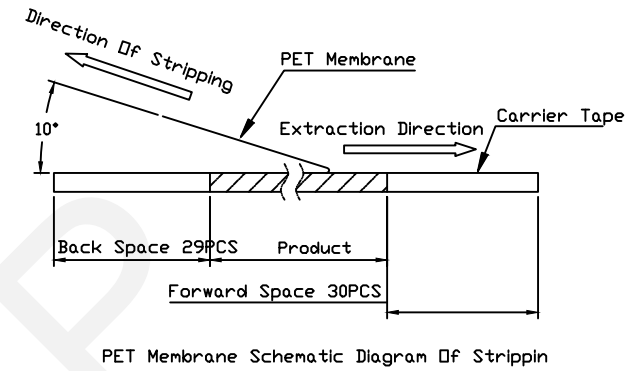
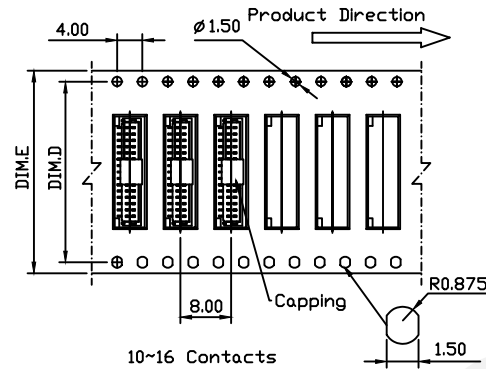
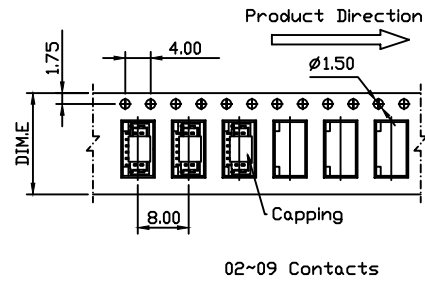
Circuit	Dimension(mm)			Circuit	Dimension(mm)		
	A	B	C		A	B	C
02	1.00	4.00	2.50	10	9.00	12.00	10.50
03	2.00	5.00	3.50	11	10.00	13.00	11.50
04	3.00	6.00	4.50	12	11.00	14.00	12.50
05	4.00	7.00	5.50	13	12.00	15.00	13.50
06	5.00	8.00	6.50	14	13.00	16.00	14.50
07	6.00	9.00	7.50	15	14.00	17.00	15.50
08	7.00	10.00	8.50	16	15.00	18.00	16.50
09	8.00	11.00	9.50	20	19.00	22.00	20.50

UNITS:mm	SHEET SIZE: A4	SCALE:---	DRWN BY PAN
0~3	3~18	18~50	50~120
±0.12	±0.15	±0.3	±0.5
CHK'D BY FENG		APPR BY ZHAN	

Pitch 1.00mm Vertical SMT Wafer	
THIRD ANGLE PROJECTION	RHTAYF1-1.00-1-XX-VM

RHITECP NINGBO RHT ELECTRONIC CO.,LTD

RoHS Compliance



Circuit	DIM.D	DIM.E	Q'ty/Reel
02-05 PIN	--	16	1500PCS
06-14 PIN	--	24	1500PCS
15-18 PIN	28.4	32	1500PCS

Packaging Instructions

Pack The Finished Products Into Reels, Each With 1500 PCS

The Product Will Be Packed By Pasting A Certificate On the Reel.

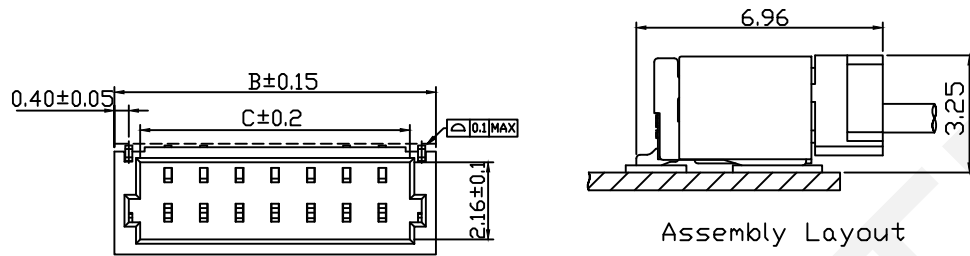
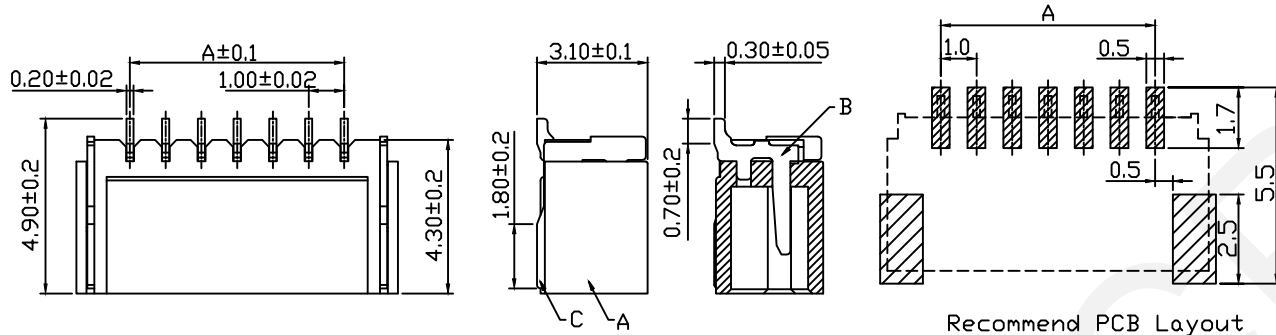
The Reel Is Put Into The Outer Box, and The Outer Box is Fitted With one first Large PE Bags With Qualified Certificates Affixed On The Outer Case

RHTECP NINGBO RHT ELECTRONIC CO.,LTD

UNITS:mm	SHEET SIZE: A4		SCALE:---	DRWN BY PAN
0~3	3~18	18~50	50~120	CHK'D BY FENG
±0.12	±0.15	±0.3	±0.5	APPR BY ZHAN

Packaging Specification
Pitch 1.00mm Vertical SMT
THIRD ANGLE PROJECTION
RHTAYF1-1.00-1-XX-VM

RoHS Compliance



Material:

Insulator:LCP UL94V-0,Beige

Contacts:Phosphor Bronze, Tin Plated

SolderTab:Phosphor Bronze,Tin Plated

Electrical Specification:

Poles:02 To 20

Contact Resistance:≤20mΩ Max

Insulation Resistance:≥100MΩ Min

Rated Voltage:50V AC DC

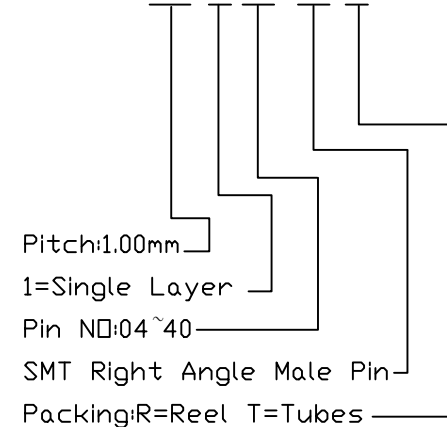
Rated Current:0.5A AC DC

Withstanding Voltage:500V AC/Minute

Temperature Range:-25°C~+105°C

Order Information:

RHTAYF1-1.00-1-XX-RM-X



Circuit	Dimension(mm)			Circuit	Dimension(mm)		
	A	B	C		A	B	C
02	1.00	4.00	2.50	10	9.00	12.00	10.50
03	2.00	5.00	3.50	11	10.00	13.00	11.50
04	3.00	6.00	4.50	12	11.00	14.00	12.50
05	4.00	7.00	5.50	13	12.00	15.00	13.50
06	5.00	8.00	6.50	14	13.00	16.00	14.50
07	6.00	9.00	7.50	15	14.00	17.00	15.50
08	7.00	10.00	8.50	16	15.00	18.00	16.50
09	8.00	11.00	9.50	20	19.00	22.00	20.50

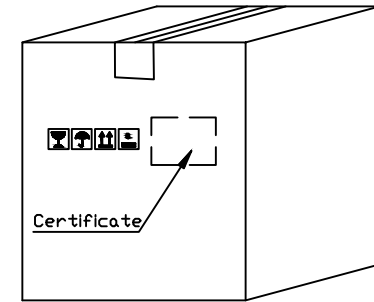
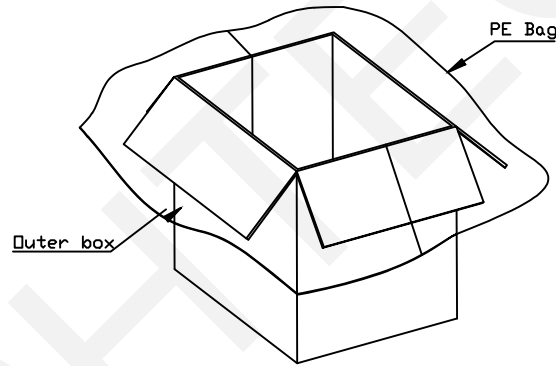
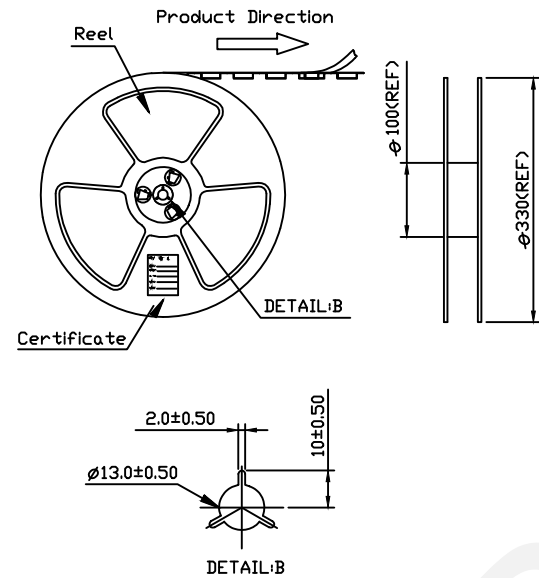
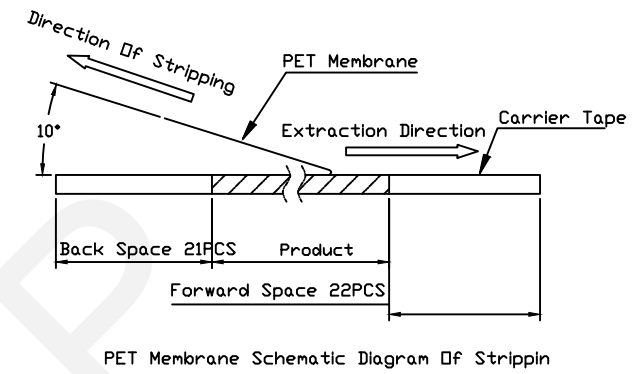
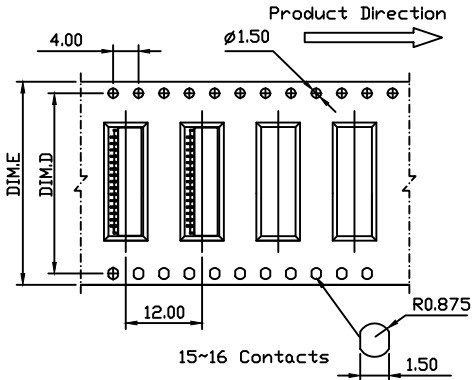
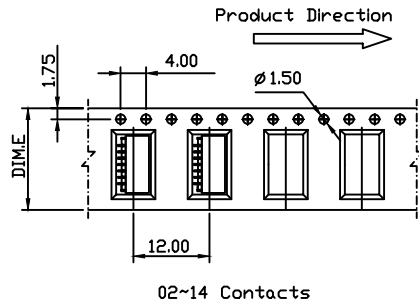
RHTECP NINGBO RHT ELECTRONIC CO.,LTD

UNITS:mm SHEET SIZE: A4 SCALE:---
 0~3 3~18 18~50 50~120
 ±0.12 ±0.15 ±0.3 ±0.5

DRWN BY PAN
 CHK'D BY FENG
 APPR BY ZHAN

Pitch 1.00mm Horizontal SMT Wafer
 THIRD ANGLE PROJECTION
 RHTAYF1-1.00-1-XX-RM

RoHS Compliance



Packaging Instructions

Pack The Finished Products Into Reels, Each With 1500 PCS

The Product Will Be Packed By Pasting A Certificate On the Reel.

The Reel Is Put Into The Outer Box, and The Outer Box is Fitted With one first Large PE Bags With Qualified Certificates Affixed On The Outer Case

Circuit	DIM.D	DIM.E	Q'ty/Reel
02 PIN	--	12	2000PCS
03-06 PIN	--	16	1500PCS
07-14 PIN	--	24	1500PCS
15-18 PIN	28.4	32	1500PCS

G	NINGBO RHT ELECTRONIC CO.,LTD	UNITS:mm	SHEET SIZE: A4	SCALE:---	DRWN BY PAN	Packaging Specification Pitch 1.00mm Horizontal SMT	
		0~3	3~18	18~50	50~120	CHK'D BY FENG	THIRD ANGLE PROJECTION
		±0.12	±0.15	±0.3	±0.5	APPR BY ZHAN	