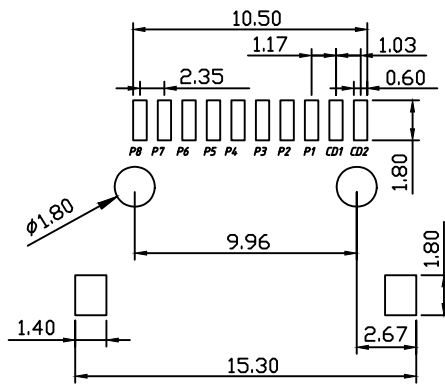
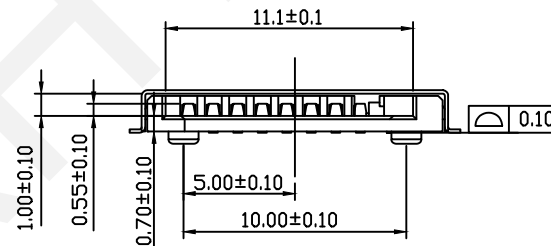


PIN NO.	PIN ASSIGNMENTS
1#	DAT2
2#	CD/DAT3
3#	CMD
4#	VDD
5#	CLK
6#	VSS
7#	DAT0
8#	DAT1



RECOMMENDED PCB LAYOUT
TOLERANCE:±0.05



Material:
Housing:LCP,UL94V-0,Black
Terminal:Copper Alloy,Selective Gold On Mating Area.
Shell:Iron
Electrical:
Voltage Rating:5V
Current Rating:0.5 A Max.
Contact Resistance: 100mΩ Max.
Insulation Resistance:1000MΩ Min.
Withstanding Voltage:500V 1 Minute.
Operating Temp:-25°C TO +60°C
Peak temperature:260°C
Durability:10000 Cycles

UNITS:mm	SHEET SIZE: A4	SCALE:----	DRWN BY PAN
0~3	3~18	18~50	50~120
±0.12	±0.15	±0.3	±0.5
			CHK'D BY FENG
			APPR BY ZHAN

Micro SD Card CONN;PUSH/ PUSH,H1.4mm,SMD With CD Pin	
THIRD ANGLE PROJECTION 	RHTAYF-014