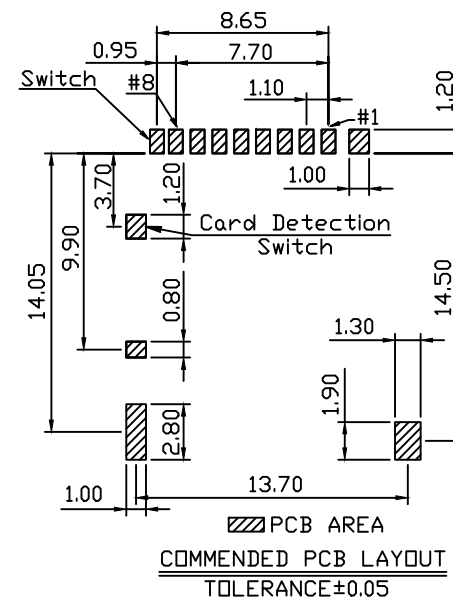
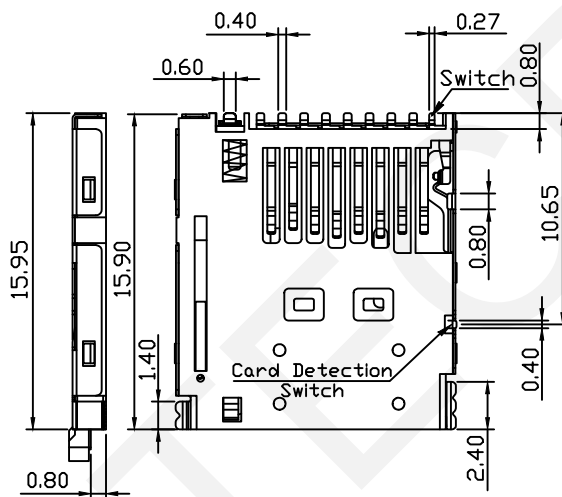
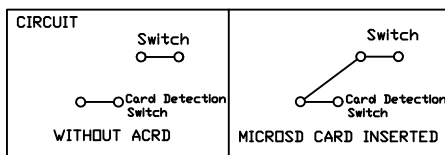
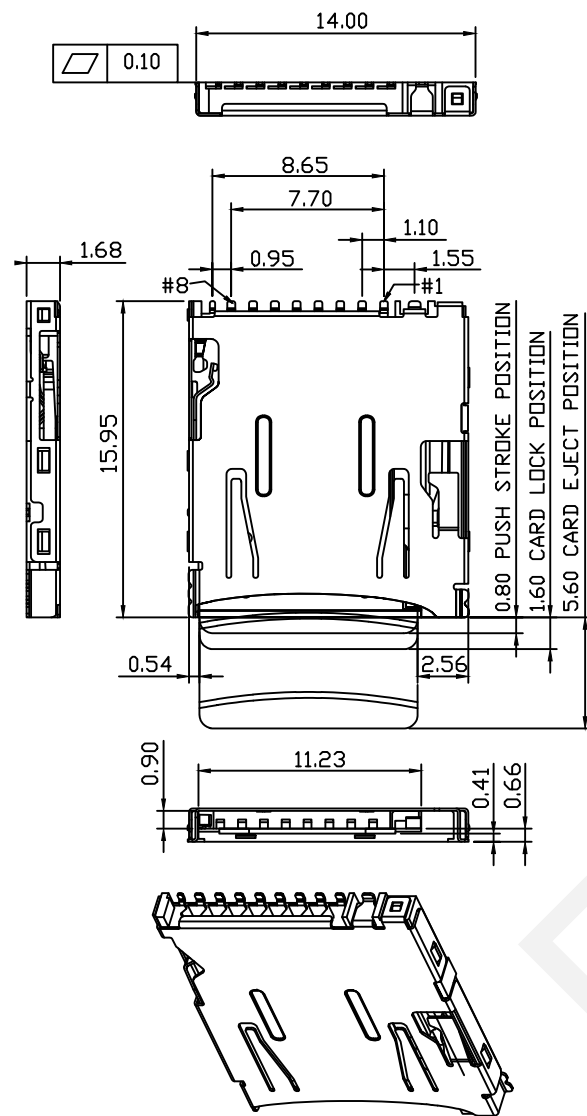


RoHS Compliance



PIN No.	PIN ASSIGNMENT
1#	DAT2
2#	CD/DAT3
3#	CMD
4#	VDD
5#	CLK
6#	VSS
7#	DAT0
8#	DAT1

Material:

Insulator: HI-Temperature Plastic, UL94V-0, Black  
Terminal: Copper Alloy, Gold Flash Plating On Contact Area & Solder Tail.

Shell: Stainless Steel, Nickel Underplated On Allover, Gold Flash On Solder Tail.

Electrical:

Insulation Resistance: 1000MΩ Min./500V DC  
Withstanding Voltage: 250V AC/Minute.

Contact Resistance: 100mΩ Max. AT 20mA/20mV Max  
Current Rating: 0.5A

Voltage Rating: 5.0 Vrms

Operating Temp Range: -40°C TO +85°C

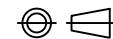
Mating Cycles: 5000 Insertions

**RHTECP** NINGBO RHT ELECTRONIC CO.,LTD

UNITS:mm	SHEET SIZE: A4	SCALE:---	DRWN BY PAN
0~3	3~18	18~50	50~120
±0.12	±0.15	±0.3	±0.5
			CHK'D BY FENG
			APPR BY ZHAN

Micro SD Card CONN,PUSH/  
PUSH,H1.68mm,SMD With CD Pin

THIRD ANGLE PROJECTION



RHTAYD114-R