

Material:  
Housing:PA66(UL94V-0),White

- Electrical Characteristics
- 1.Poles:2 to 20P
  - 2.Current Rating: 3.0A
  - 3.Voltage Rating: 250V
  - 4.Temperature Range:-25℃ to +85℃
  - 5.Contact Resistance:≤10mΩ
  - 6.Insulation Resistance:≥1000MΩ
  - 7.Withstand Voltage:1000V AC/minute
  - 8.Applicable Wire: AWG #30 to #22
  - 9.Applicable PC Board Thickness:1.6mm

Circuit	Dimensions(mm)		
	A	B	C
02	2.50	5.7	7.3
03	5.00	8.2	9.8
04	7.50	10.7	12.3
05	10.00	13.2	14.8
06	12.50	15.7	17.3
07	15.00	18.2	19.8
08	17.50	20.7	22.3
09	20.00	23.2	24.8
10	22.50	25.7	27.3
11	25.00	28.2	29.8
12	27.50	30.7	32.3
13	30.00	33.2	34.8
14	32.50	35.7	37.3
15	35.00	38.2	39.8
16	37.50	40.7	42.3
17	40.00	43.2	44.8
18	42.50	45.7	47.3
19	45.00	48.2	49.8
20	47.50	50.7	52.3

Order Information

RHTAY2.50-XX-H

Type:H=Housing

PIN Number: 02~20Pin

Pitch:2.50=2.50mm

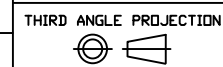


NINGBO RHT ELECTRONIC CO.,LTD

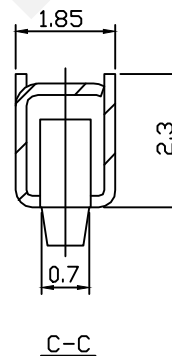
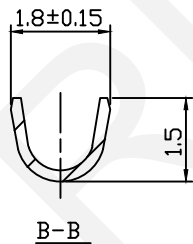
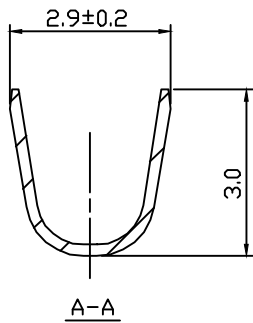
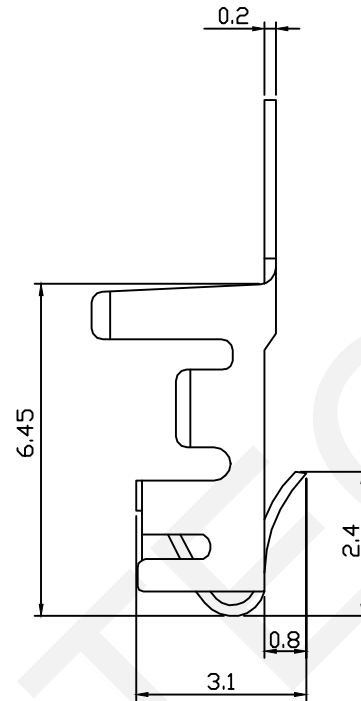
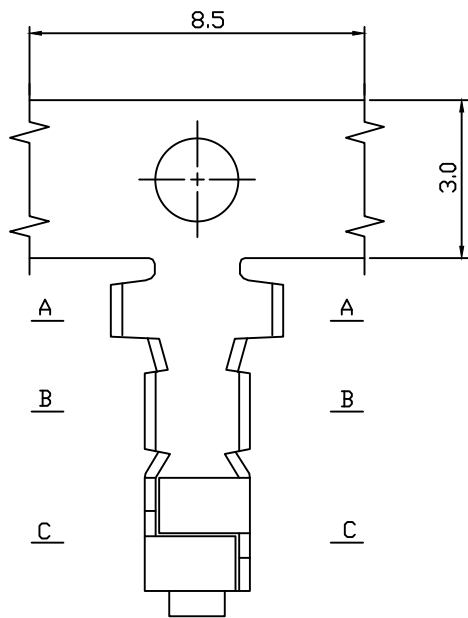
UNITS:mm	SHEET SIZE: A4	SCALE:---	DRWN BY PAN
0~3	3~18	18~50	50~120
±0.12	±0.15	±0.3	±0.5

CHK'D BY FENG
APPR BY ZHAN

2.50mm Pitch XH Type Wire  
To Board Connector



RHTAY2.50-XX-H



Material:  
Terminal: Phos Bronze, Tin plating, 6000PCB/Roll

Electrical Characteristics

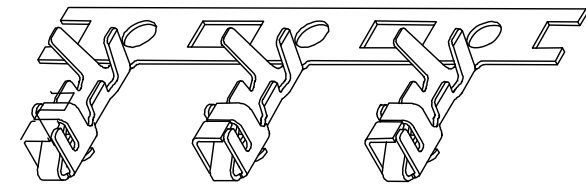
1. Poles: 2 to 20P
2. Current Rating: 3.0A
3. Voltage Rating: 250V
4. Temperature Range: -25°C to +85°C
5. Contact Resistance: ≤10mΩ
6. Insulation Resistance: ≥1000MΩ
7. Withstand Voltage: 1000V AC/minute
8. Applicable Wire: AWG #30 to #22
9. Applicable PC Board Thickness: 1.6mm

Order Information

RHTAY2.50-T

Pitch: 2.50=2.50mm

Type: T=Terminal



**RHTECP** NINGBO RHT ELECTRONIC CO.,LTD

UNITS:mm	SHEET SIZE: A4		SCALE: ---	
0~3	3~18	18~50	50~120	
±0.12	±0.15	±0.3	±0.5	

DRWN BY PAN

CHK'D BY FENG

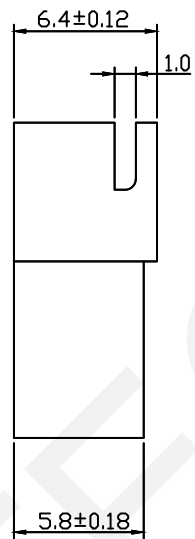
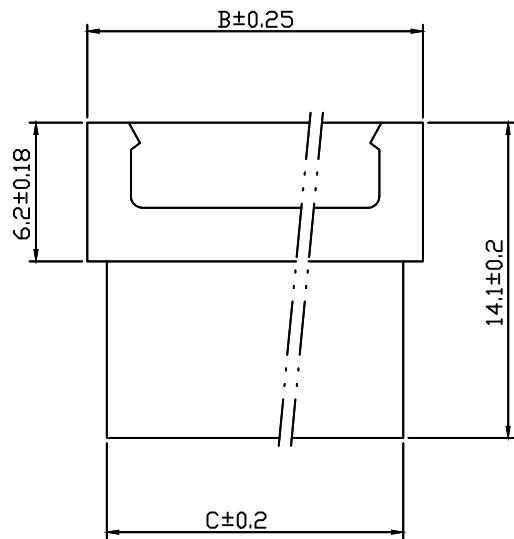
APPR BY ZHAN

2.50mm Pitch XH Type Wire  
To Board Connector

THIRD ANGLE PROJECTION



RHTAY2.50-T



Material:  
Housing:PA66,UL94V-0(2),White

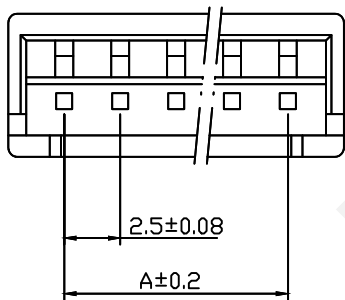
Order Information

RHTAY2.50-XX-FH

Pitch:2.50mm

No.of 02~15 pins

Type:Female Housing



Circuit	Dimensions(mm)		
	A	B	C
02	2.50	7.5	5.8
03	5.00	10.0	8.3
04	7.50	12.5	10.8
05	10.00	15.0	13.3
06	12.50	17.5	15.8
07	15.00	20.0	18.3
08	17.50	22.5	20.8
09	20.00	25.0	23.3
10	22.50	27.5	25.8
11	25.00	30.0	28.3
12	27.50	32.5	30.8
13	30.00	35.0	33.3
14	32.50	37.5	35.8
15	35.00	40.0	38.3

 NINGBO RHT ELECTRONIC CO.,LTD

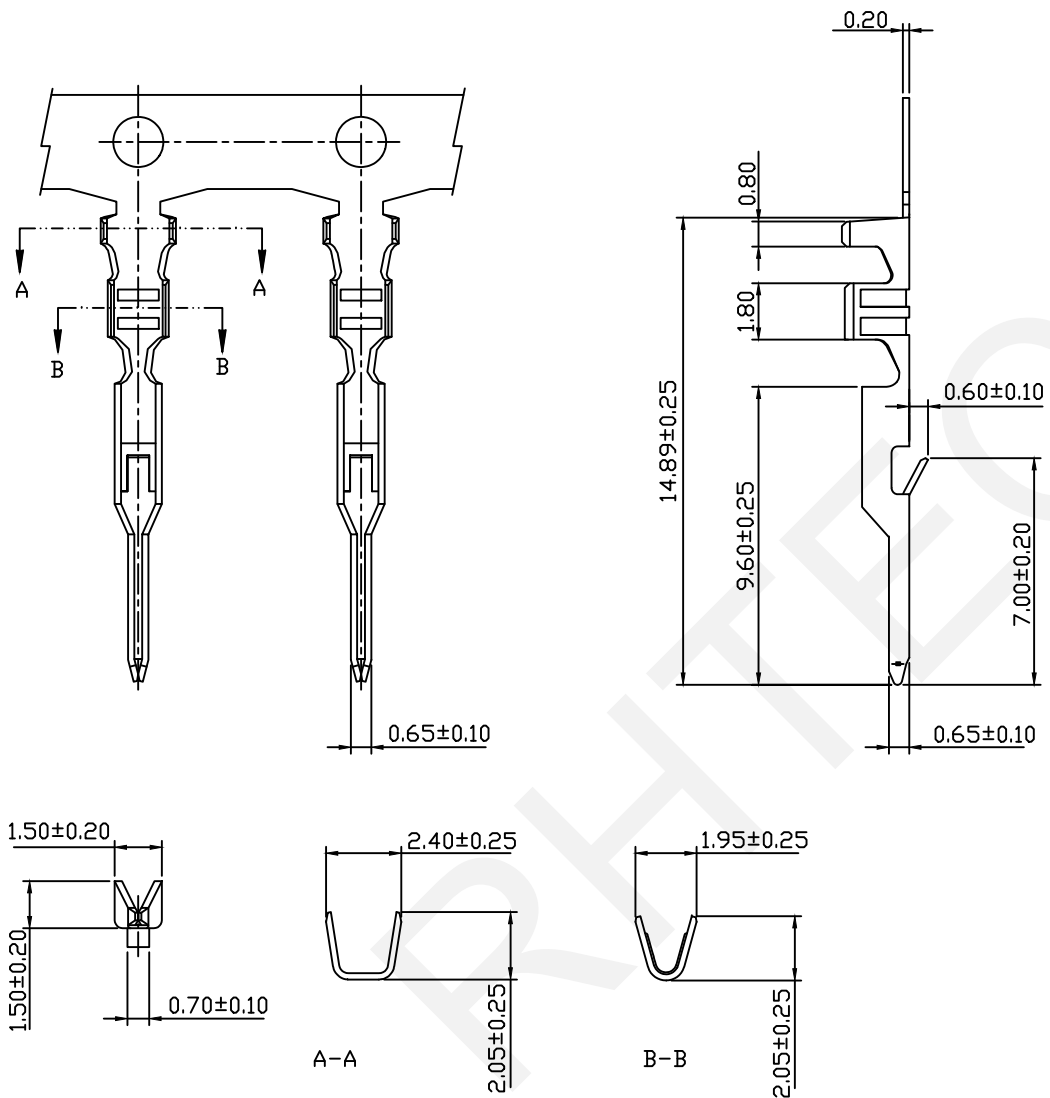
UNITS:mm	SHEET SIZE: A4		SCALE:---		DRWN BY PAN
0~3	3~18	18~50	50~120	CHK'D BY FENG	
±0.12	±0.15	±0.3	±0.5	APPR BY ZHAN	

2.50mm Pitch XH Type Wire  
To Board Connector

THIRD ANGLE PROJECTION



RHTAY2.50-XX-FH



Material:  
Terminal: Phos Bronze, Tin Plating

Electrical Characteristics

1. Current Rating: 3.0A
2. Voltage Rating: 250V
3. Temperature Range: -25°C to +85°C
4. Contact Resistance: ≤10mΩ
4. Insulation Resistance: ≥1000MΩ
6. Withstand Voltage: 1000V AC/Minute
7. After Environmental Testing: ≤20mΩ
8. Applicable Wire: AWG #28 to #22
9. Insulation Ø.D.: 1.60mm(Max)

Order Information

RHTAY2.50-MT

Pitch: 2.50=2.50mm  
Type: MT=Male Terminal

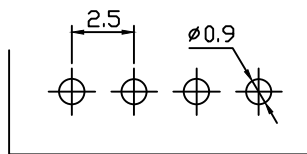
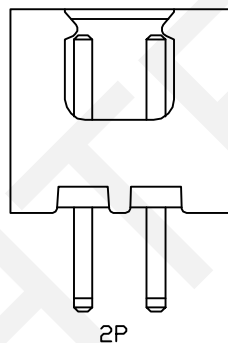
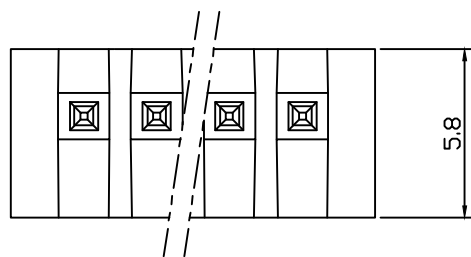
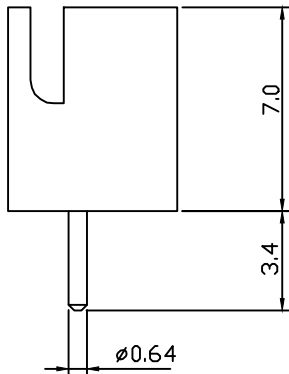
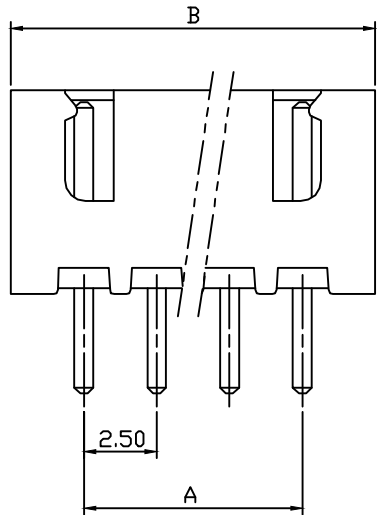
**RHTECP** NINGBO RHT ELECTRONIC CO.,LTD

UNITS:mm	SHEET SIZE: A4			SCALE:---	DRWN BY PAN
0~3	3~18	18~50	50~120	CHK'D BY FENG	
±0.12	±0.15	±0.3	±0.5	APPR BY ZHAN	

THIRD ANGLE PROJECTION

2.50mm Pitch XH Type Wire  
To Board Connector

RHTAY2.50-MT



PCB Layout

Order Information

RHTAY2.50-XX-S

Type:S=Straight Male Pin

PIN Number: 02~20Pin

Pitch:2.50=2.50mm

Material:  
Housing:PA66(UL94V-0),White  
Contacts:Brass Tin

Electrical Characteristics

- 1.Poles:2 to 20P
- 2.Current Rating: 3.0A
- 3.Voltage Rating: 250V
- 4.Temperature Range:-30℃ to +90℃
- 5.Contact Resistance:≤10mΩ
- 6.Insulation Resistance:≥1000MΩ
- 7.Withstand Voltage:1000V AC/minute
- 8.Applicable Wire: AWG #30 to #22
- 9.Applicable PC Board Thickness:1.6mm

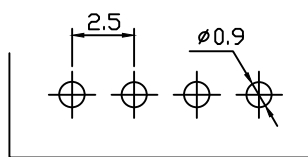
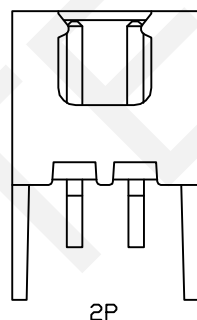
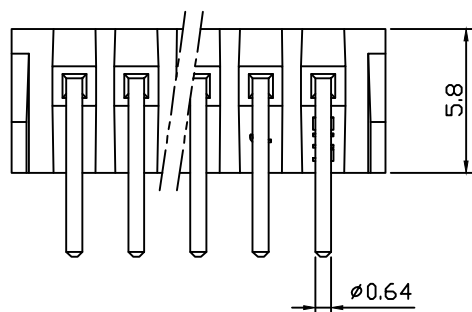
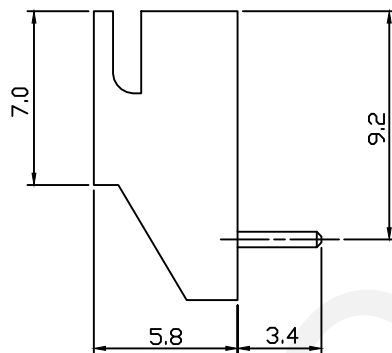
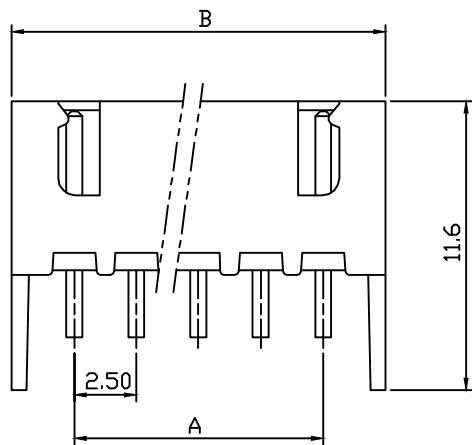
Circuit	Dimensions(mm)	
	A	B
02	2.50	7.50
03	5.00	10.00
04	7.50	12.50
05	10.00	15.00
06	12.50	17.50
07	15.00	20.00
08	17.50	22.50
09	20.00	25.00
10	22.50	27.50
11	25.00	30.00
12	27.50	32.50
13	30.00	35.00
14	32.50	37.50
15	35.00	40.00
16	37.50	42.50
17	40.00	45.00
18	42.50	47.50
19	45.00	50.00
20	47.50	52.50

NINGBO RHT ELECTRONIC CO.,LTD

UNITS:mm	SHEET SIZE: A4	SCALE:---	DRWN BY PAN
0~3	3~18	18~50	50~120
±0.12	±0.15	±0.3	±0.5

CHK'D BY FENG  
APPR BY ZHAN

2.50mm Pitch XH Type Wire  
To Board Connector  
THIRD ANGLE PROJECTION  
 RHTAY2.50-XX-S



PCB Layout

Order Information

RHTAY2.50-XX-R

Type:R=Right Male Pin

PIN Number: 02~20Pin

Pitch:2.50=2.50mm

Material:  
Housing:PA66(UL94V-0),White  
Contacts:Brass Tin

Electrical Characteristics

- 1.Poles:2 to 20P
- 2.Current Rating: 3.0A
- 3.Voltage Rating: 250V
- 4.Temperature Range:-25℃ to +85℃
- 5.Contact Resistance:≤10mΩ
- 6.Insulation Resistance:≥1000MΩ
- 7.Withstand Voltage:1000V AC/minute
- 8.Applicable Wire: AWG #30 to #22
- 9.Applicable PC Board Thickness:1.6mm

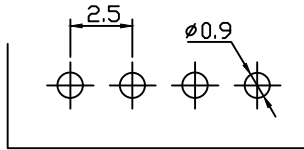
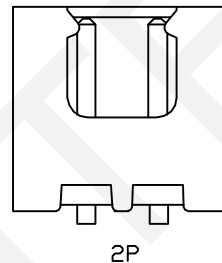
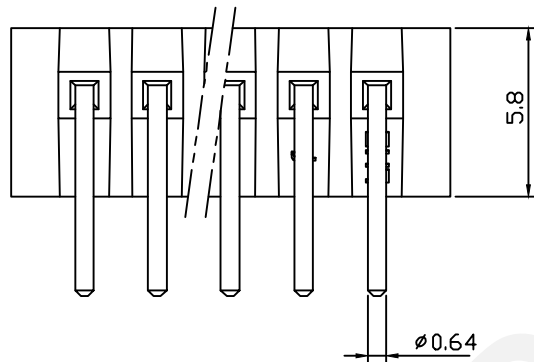
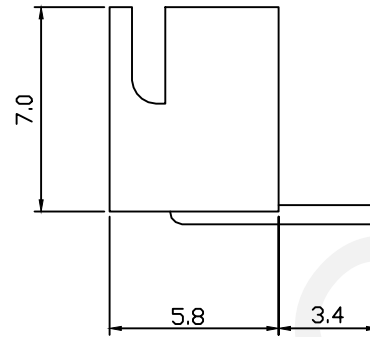
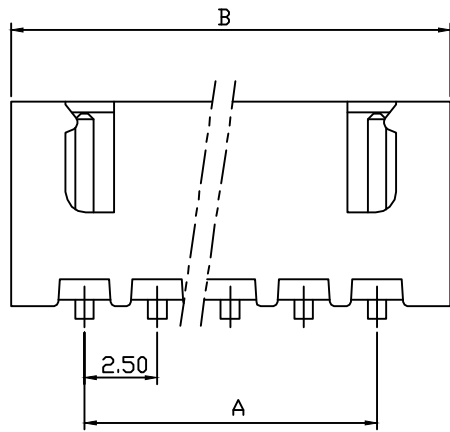
Circuit	Dimensions(mm)	
	A	B
02	2.50	7.50
03	5.00	10.00
04	7.50	12.50
05	10.00	15.00
06	12.50	17.50
07	15.00	20.00
08	17.50	22.50
09	20.00	25.00
10	22.50	27.50
11	25.00	30.00
12	27.50	32.50
13	30.00	35.00
14	32.50	37.50
15	35.00	40.00
16	37.50	42.50
17	40.00	45.00
18	42.50	47.50
19	45.00	50.00
20	47.50	52.50

NINGBO RHT ELECTRONIC CO.,LTD

UNITS:mm	SHEET SIZE: A4	SCALE:---	DRWN BY PAN
0~3	3~18	18~50	50~120
±0.12	±0.15	±0.3	±0.5

CHK'D BY FENG  
APPR BY ZHAN

2.50mm Pitch XH Type Wire  
To Board Connector  
THIRD ANGLE PROJECTION  
 RHTAY2.50-XX-R



PCB Layout

Order Information

RHTAY2.50-XX-R1

Type: R1=Right Male Pin

PIN Number: 02~20Pin

Pitch: 2.50=2.50mm

Material:  
Housing: PA66(UL94V-0), White  
Contacts: Brass Tin

Electrical Characteristics

1. Poles: 2 to 20P
2. Current Rating: 3.0A
3. Voltage Rating: 250V
4. Temperature Range: -25°C to +85°C
5. Contact Resistance:  $\leq 10m\Omega$
6. Insulation Resistance:  $\geq 1000M\Omega$
7. Withstand Voltage: 1000V AC/minute
8. Applicable Wire: AWG #30 to #22
9. Applicable PC Board Thickness: 1.6mm

Circuit	Dimensions(mm)	
	A	B
02	2.50	7.50
03	5.00	10.00
04	7.50	12.50
05	10.00	15.00
06	12.50	17.50
07	15.00	20.00
08	17.50	22.50
09	20.00	25.00
10	22.50	27.50
11	25.00	30.00
12	27.50	32.50
13	30.00	35.00
14	32.50	37.50
15	35.00	40.00
16	37.50	42.50
17	40.00	45.00
18	42.50	47.50
19	45.00	50.00
20	47.50	52.50

NINGBO RHT ELECTRONIC CO.,LTD

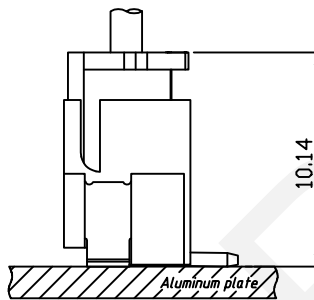
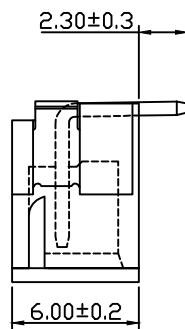
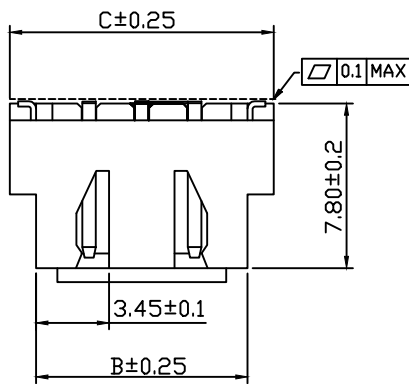
UNITS:mm	SHEET SIZE: A4	SCALE: ---	DRWN BY PAN
0~3	3~18	18~50	50~120
±0.12	±0.15	±0.3	±0.5

CHK'D BY FENG  
APPR BY ZHAN

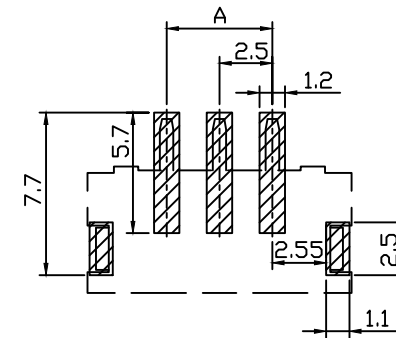
THIRD ANGLE PROJECTION

2.50mm Pitch XH Type Wire  
To Board Connector

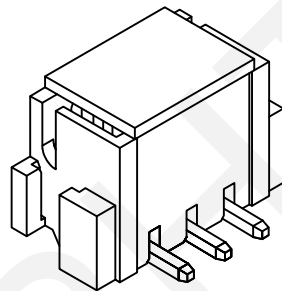
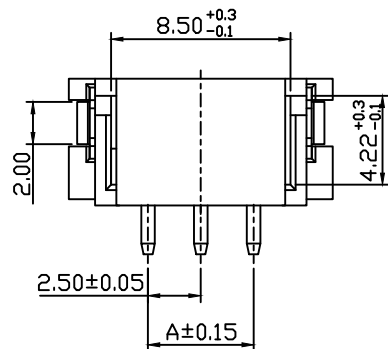
RHTAY2.50-XX-R1



Assembly Tayout



SUGGES TED PCB LAYOUT



Material:

Insulator:LCP UL94V-0,Beige  
 Contacts:Brass, Tin Plated  
 Solder Tab:Brass, Tin Plated

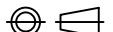
Electrical Specification:

Poles:02 to 16  
 Contact Resistance:≤20mΩ  
 Insulation Resistance:≥1000MΩ  
 Rated Voltage : 250V AC DC  
 Rated Current : 3.0A AC DC  
 Withstand Voltage:1000V AC/minute  
 Temperature Range:-25℃~+105℃

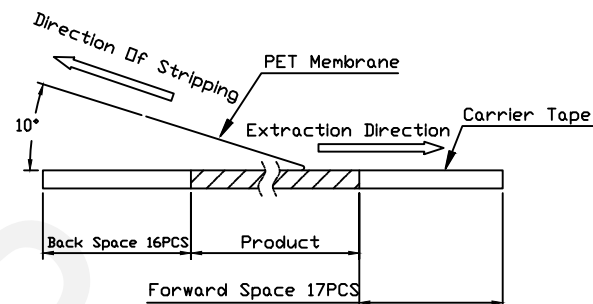
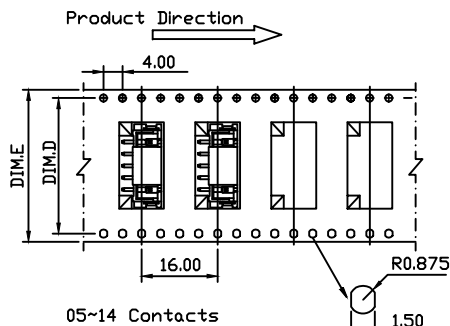
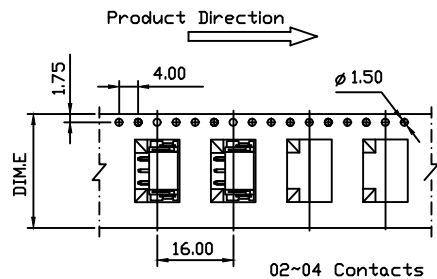
Circuit	Dimensions(mm)		
	A	B	C
02	2.50	7.50	10.00
03	5.00	10.00	12.50
04	7.50	12.50	15.00
05	10.00	15.00	17.50
06	12.50	17.50	20.00
07	15.00	20.00	22.50
08	17.50	22.50	25.00
09	20.00	25.00	27.50
10	22.50	27.50	30.00
11	25.00	30.00	32.50
12	27.50	32.50	35.00
13	30.00	35.00	37.50
14	32.50	37.50	40.00
15	35.00	40.00	42.50
16	37.50	42.50	45.00

**RHTECP** NINGBO RHT ELECTRONIC CO.,LTD

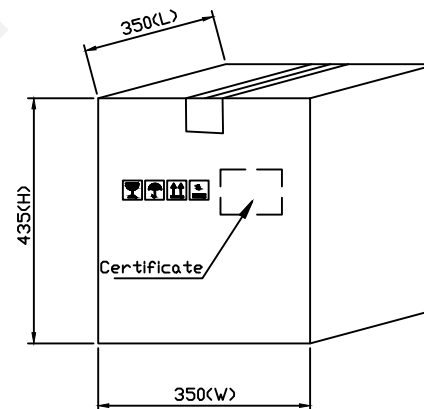
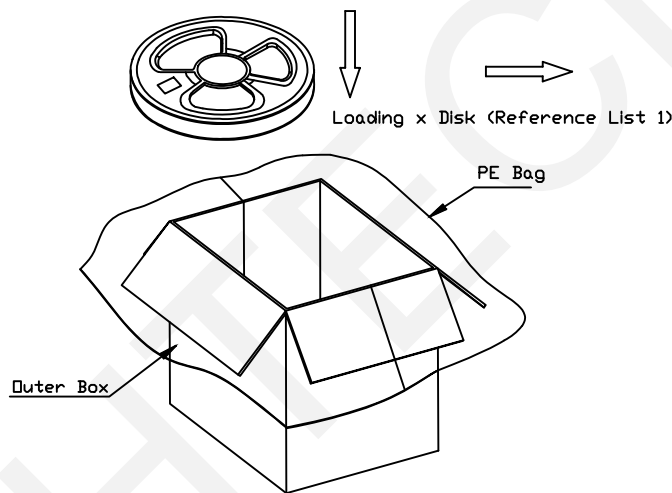
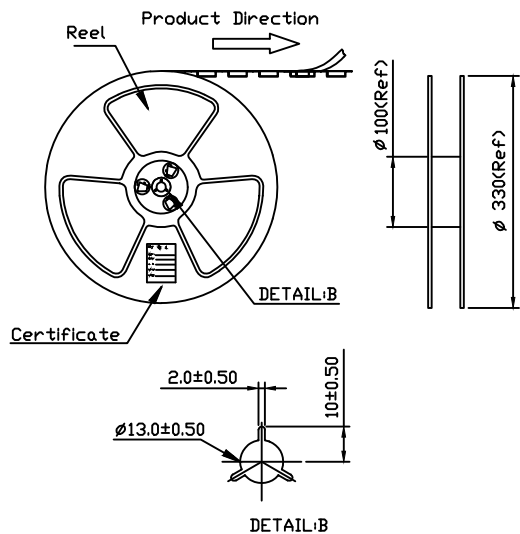
UNITS:mm	SHEET SIZE: A4			SCALE:---	DRWN BY PAN
0~3	3~18	18~50	50~120	CHK'D BY FENG	
±0.12	±0.15	±0.3	±0.5	APPR BY ZHAN	

2.50mm Pitch XH Type Wire  
 To Board Connector  
 THIRD ANGLE PROJECTION  
  
 RHTAY2.50-XX-VM





PET Membrane Schematic Diagram Of Stripping



Circuits	DIM.D	DIME
02-04PIN	--	24
05-06PIN	28.4	32
07-10PIN	40.4	44
14PIN	52.4	56

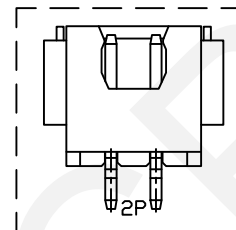
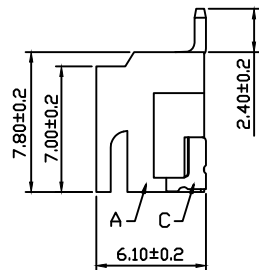
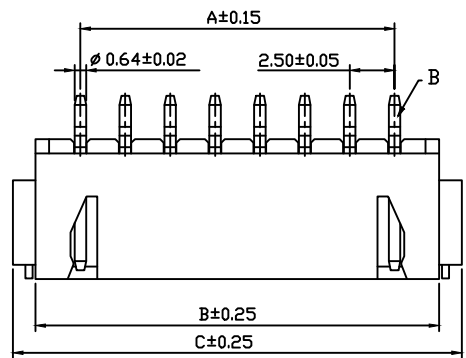
### Packaging Instructions

Pack The Finished Products Into Reels, Each With 501PCS  
 The Product Will Be Packed By Pasting A Certificate On The Reel  
 The Reel Is Put Into The Outer Box, And The Outer Box Is Fitted With one First Large PE Bags With Qualified Certificates Affixed On The Outer Case

**RHTECP** NINGBO RHT ELECTRONIC CO.,LTD

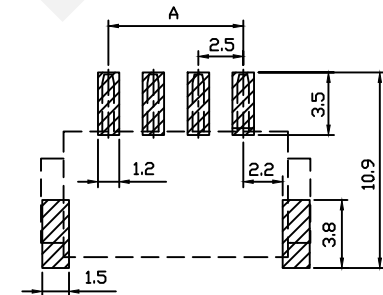
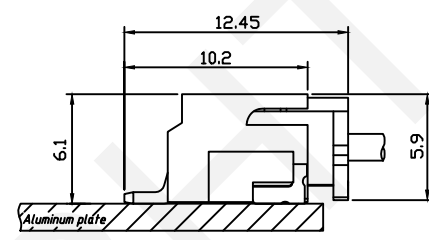
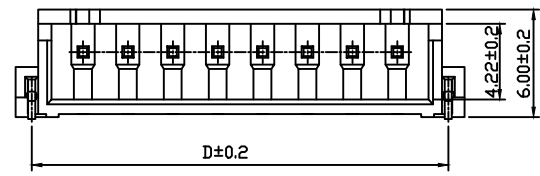
UNITS:mm	SHEET SIZE: A4		SCALE:---	DRWN BY PAN
0~3	3~18	18~50	50~120	CHK'D BY FENG
±0.12	±0.15	±0.3	±0.5	APPR BY ZHAN

Packaging Specification  
 Ptich 2.50mm Vertical SMT  
 THIRD ANGLE PROJECTION  
  
 RHTAY2.50-XX-VM



Material:  
 Insulator:LCP UL94V-0,Beige  
 Contacts:Brass, Tin Plated  
 Solder Tab:Brass, Tin Plated

Electrical Specification:  
 Poles:02 to 16  
 Contact Resistance:≤20mΩ  
 Insulation Resistance:≥1000MΩ  
 Rated Voltage : 250V AC DC  
 Rated Current : 3.0A AC DC  
 Withstand Voltage:1000V AC/minute  
 Temperature Range:-25℃~+105℃



Assembly Layout

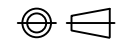
SUGGESTED PCB LAYOUT

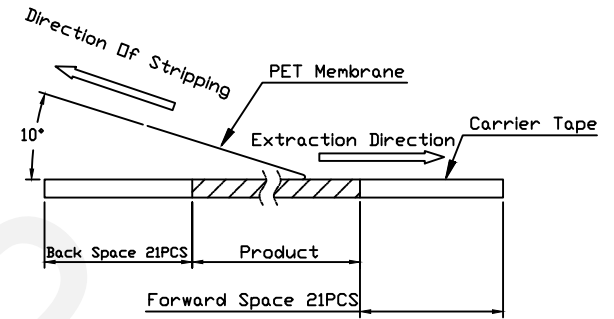
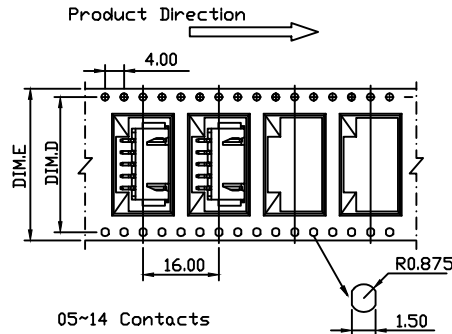
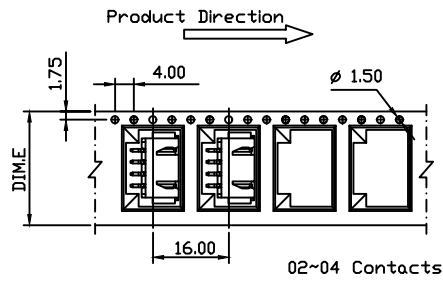
Circuit	Dimensions(mm)			
	A	B	C	D
02	2.50	7.50	10.00	8.20
03	5.00	10.00	12.50	10.70
04	7.50	12.50	15.00	13.20
05	10.00	15.00	17.50	15.0
06	12.50	17.50	20.00	18.20
07	15.00	20.00	22.50	20.70
08	17.50	22.50	25.00	23.20
09	20.00	25.00	27.50	25.70
10	22.50	27.50	30.00	28.20
11	25.00	30.00	32.50	30.70
12	27.50	32.50	35.00	33.20
13	30.00	35.00	37.50	35.70
14	32.50	37.50	40.00	38.20
15	35.00	40.00	42.50	40.70
16	37.50	42.50	45.00	43.20

**RHTECP** NINGBO RHT ELECTRONIC CO.,LTD

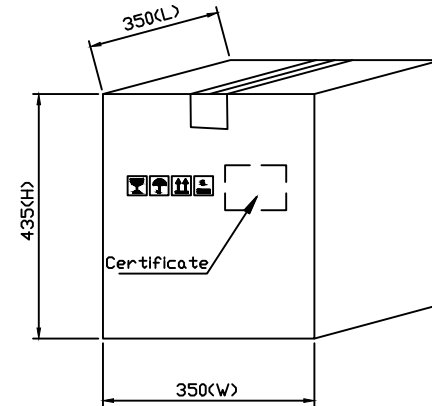
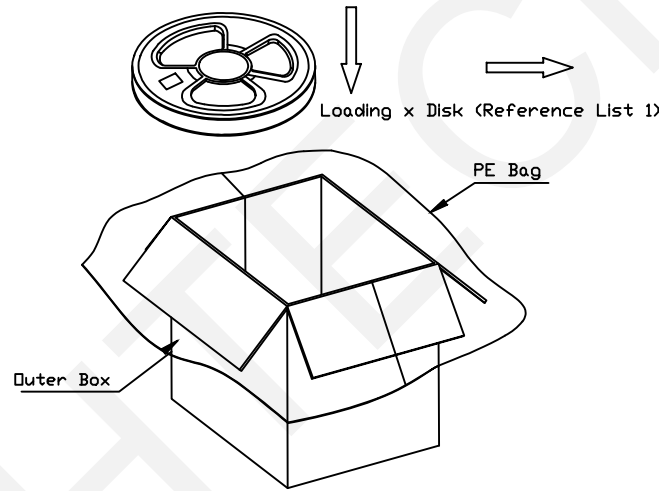
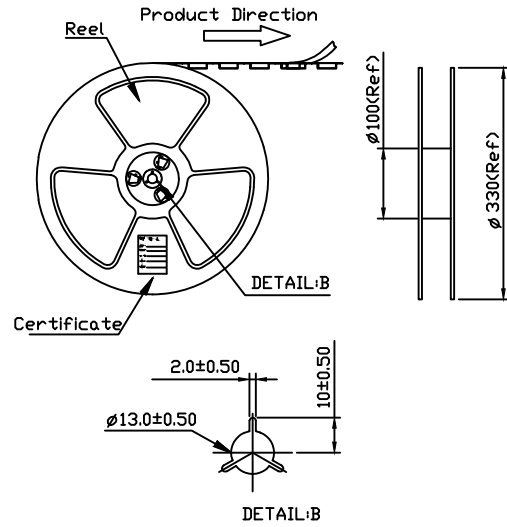
UNITS:mm SHEET SIZE: A4 SCALE:---  
 0~3 3~18 18~50 50~120  
 ±0.12 ±0.15 ±0.3 ±0.5

DRWN BY PAN  
 CHK'D BY FENG  
 APPR BY ZHAN

2.50mm Pitch XH Type Wire  
 To Board Connector  
 THIRD ANGLE PROJECTION  
  
 RHTAY2.50-XX-RM



PET Membrane Schematic Diagram Of Stripping



Circuits	DIM.D	DIM.E
02-04PIN	--	24
05-06PIN	28.4	32
07-10PIN	40.4	44
14PIN	52.4	56

### Packaging Instructions

Pack The Finished Products Into Reels, Each With 700PCS  
 The Product Will Be Packed By Pasting A Certificate On The Reel  
 The Reel Is Put Into The Outer Box, And The Outer Box Is Fitted With one First Large PE Bags With Qualified Certificates Affixed On The Outer Case

**RHTECP** NINGBO RHT ELECTRONIC CO.,LTD

UNITS:mm	SHEET SIZE: A4		SCALE:---		DRWN BY PAN
0~3	3~18	18~50	50~120	CHK'D BY FENG	
±0.12	±0.15	±0.3	±0.5	APPR BY ZHAN	

Packaging Specification  
 Ptich 2.50mm Horizontal SMT  
 THIRD ANGLE PROJECTION  
  
 RHTAY2.50-XX-RM